

Exploded view slicer:

834 – EPC



Verbas BV – DEKO Holland
Leemansweg 95
6827 BX Arnhem
The Netherlands

June 2010



**Recommended spareparts list 834EPC**

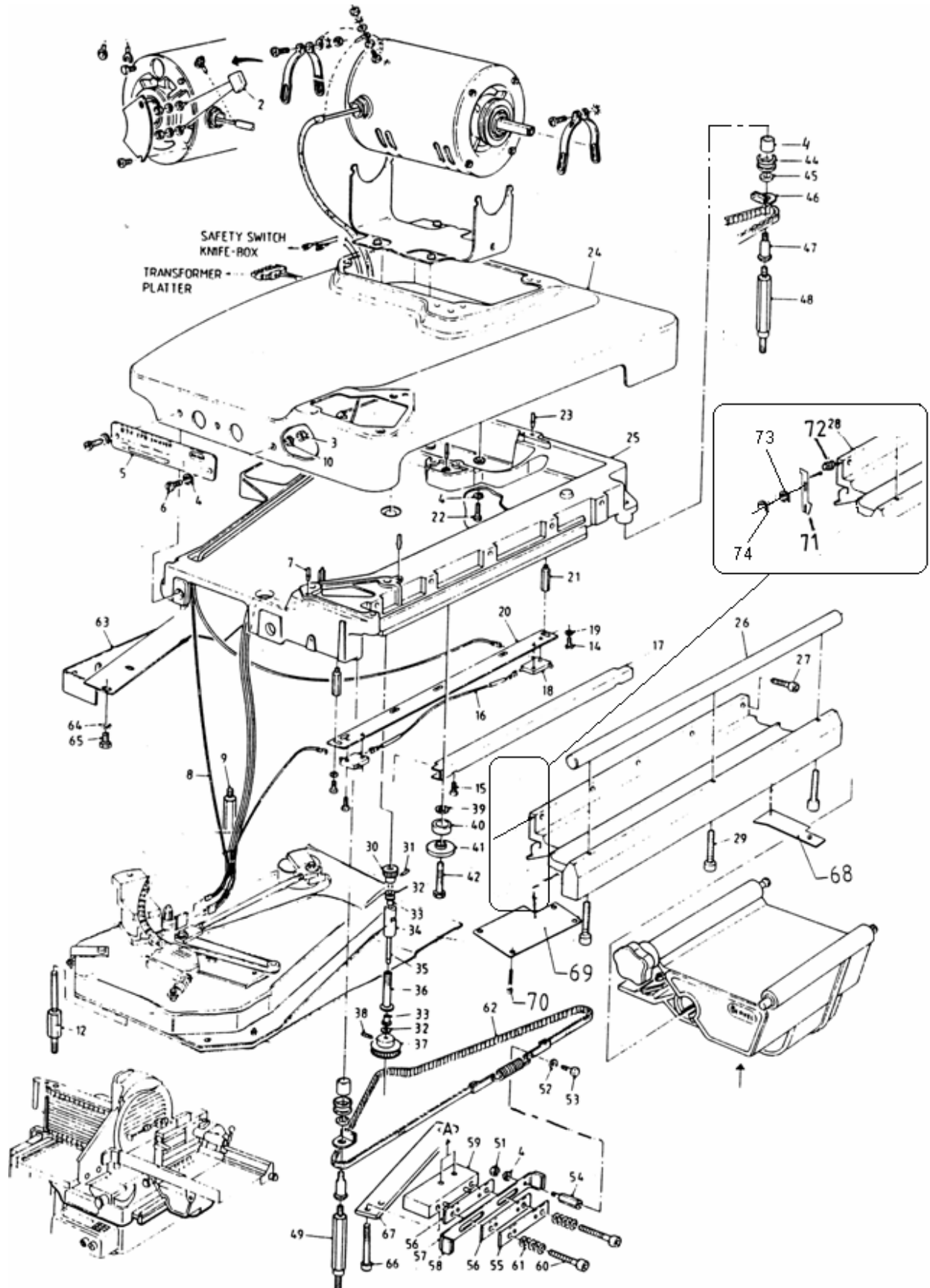
| Part no. | Description | Assembly |
|-----------------|-----------------------------|-------------------------|
| 2301-5202 | V-belt | knife box |
| 2301-5209 | V-belt | powerstroke |
| 2301-5210 | V-belt | powerstroke |
| 2301-5211 | V-belt | powerstroke |
| 2601-0036 | sliding potentiometer | thickness regulator |
| 2601-1083 | switch green | bezel |
| 2601-1084 | switch red | bezel |
| 2601-1111 | micro switch | knife box |
| 2601-6568 | carbon brushes | powerstroke |
| 2901-0007 | E-prom stacker programmed | bezel |
| 3201-4123 | knob | meat table |
| 3301-3810 | spindle bearing | sharpener |
| 3301-3824 | belt pulley | transporter |
| 3701-3381 | hinge piece | meat table |
| 3801-3350 | knob with pin | thickness regulator |
| 3801-3199 | pulley | transporter |
| 3801-3200 | centerplate knob | knife box |
| 3801-3287 | split nut / handle | meat table |
| 4101-3492 | touch panelbezel | |
| 4101-3610 | transformer group 230 Volt | powerstroke |
| 4101-3620 | CPU board | bezel |
| 4101-3821 | hardnessing | powerstroke |
| 4101-3851 | powerstroke board | bezel |
| 4101-3622 | interconnection board | tray / solenoid housing |
| 4101-3632 | DC motor | powerstroke |
| 4101-3634 | motor 230V 50Hzbase | |
| 4301-3404 | sharpening stone with shaft | sharpener |
| 4301-3405 | deburring stone with shaft | sharpener |
| 4301-3418 | conveyor belt | transporter |
| 4301-3424 | solenoid | tray / solenoid housing |
| 4301-3427 | fingerholder | tray / solenoid housing |
| 4301-3659 | pulley | transporter |
| 4301-3687 | belt assy | base |
| 4401-3300 | disc | meat table |
| 4601-3527 | stepping motor | tray / solenoid housing |
| 4601-3710 | supporting shaft | meat table |
| 4601-3504 | sharpener assy | sharpener |

Verbas BV - DEKO Holland.



Exploded view: Base

Concern code: 4601 - 0064 - 02



Verbas BV - DEKO Holland.



Exploded view: Base

Concern code: 4601 - 0064 - 02

| Pos | Part no. | Qty | Description | As of serial no |
|-----|-----------|-----|------------------------------------|-----------------|
| 1 | 4101-3633 | 1 | Motor 110V/60Hz | |
| | 4101-3634 | 1 | Motor 230V/50Hz | |
| | 4101-3635 | 1 | Motor 380V/50Hz | |
| 2 | 4101-3629 | 1 | Snubber | |
| 3 | 2101-7008 | 3 | Nut M6 DIN934 | |
| 4 | 2101-8520 | 5 | Lock washer B6 DIN127 | |
| 5 | 3101-3752 | 1 | Legend plate 230V | |
| | 3101-3755 | 1 | Legend plate 240V | |
| | 3101-3756 | 1 | Legend plate 110V | |
| 6 | 3201-3375 | 2 | Cylinder screw M6x15 | |
| 7 | 2201-3016 | 3 | Grooved pin 4x16 DIN1474 RVS A2 | |
| 8 | 4101-3771 | 1 | Cable safety switch assy | |
| 9 | 3301-4193 | 1 | Extension piece | |
| 10 | 2101-8520 | 1 | Lock washer | |
| 11 | -- | | | |
| 12 | 3301-4194 | 1 | Lengthening piece | |
| 13 | -- | | | |
| 14 | 2101-1010 | 2 | Screw M4x8 DIN933 | |
| 15 | 2101-2032 | 4 | Screw M3x12 DIN7985 | |
| 16 | 4101-3770 | 1 | Cable | |
| 17 | 3501-3704 | 1 | Switch plate | |
| 18 | 2601-1087 | 2 | Micro switch | |
| 19 | 2101-8008 | 2 | Washer DIN125 | |
| 20 | 3401-4191 | 1 | Mounting plate | |
| 21 | 3301-4326 | 2 | Extension piece | |
| 22 | 2101-1022 | 4 | Bolt M6x25 DIN933 | |
| 23 | 2201-3017 | 1 | Grooved pin 4x40 DIN1474 | |
| 24 | 3401-3823 | 1 | Main frame cover | |
| 25 | 3701-3357 | 1 | Main frame | |
| 26 | 3301-4302 | 1 | Guiding rod | |
| 27 | 2101-3019 | 6 | Allen screw M6x20 DIN912 | |
| 28 | 3501-3729 | 1 | Frame CE | |
| | 3501-3690 | 1 | Frame Non CE | |
| 29 | 2101-3072 | 3 | Allen screw M5x35 DIN912 | |
| 30 | 3301-3823 | 1 | Coqwheel | |
| 31 | 2201-3027 | 1 | Spring dowel 3x12 DIN1481 | |
| 32 | 3201-6064 | 2 | Ring | |
| 33 | 2301-8037 | 2 | Nyliner 1320-508-00 | |
| 34 | 3301-4199 | 1 | Bearing bushing | |
| 35 | 3301-3822 | 1 | Coqwheel shaft | |
| 36 | 3301-4198 | 1 | Bearing bushing | |
| 37 | 3301-3824 | 1 | Belt pulley | |
| 38 | 2101-3174 | 1 | Screw M5x10 DIN916 stainless steel | 10580 |

Verbas BV - DEKO Holland.



Exploded view: Base

Concern code: 4601 - 0064 - 02

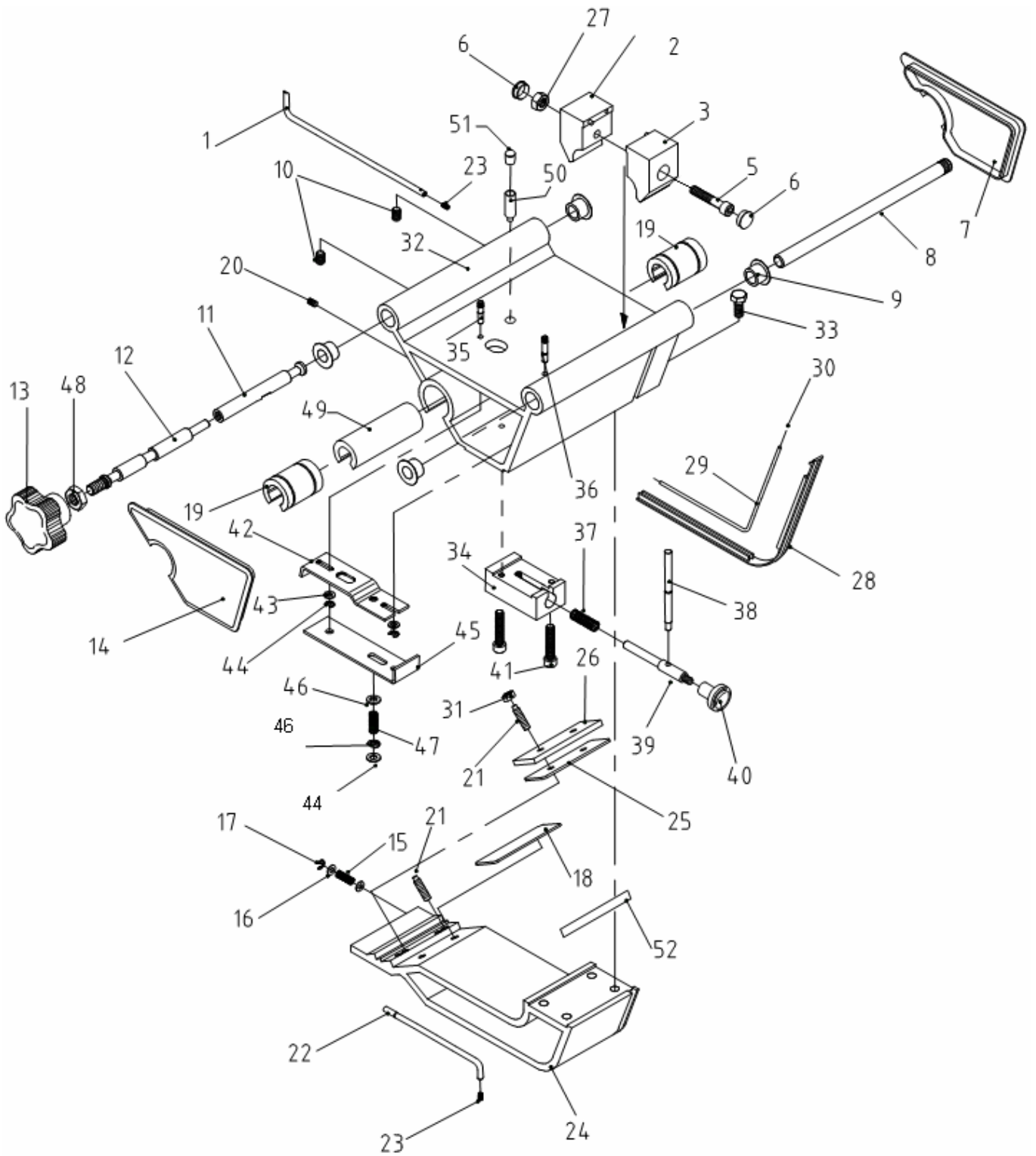
| Pos | Part no. | Qty | Description | As of serial no. |
|-----|-----------|-----|--|------------------|
| 39 | 3301-4226 | 1 | Ring disk | |
| 40 | 2301-7023 | 1 | Ball bearing 8x22x7 | |
| 41 | 3301-3825 | 1 | Ring disk | |
| 42 | 2101-1094 | 1 | Bearing shaft | |
| 43 | 3301-4192 | 2 | Spacer | |
| 44 | 4301-3610 | 2 | Pulley | |
| 45 | 3801-3161 | 2 | Space ring | |
| 46 | 3401-4139 | 2 | Stop | |
| 47 | 3301-4191 | 2 | Bolt | |
| 48 | 3301-3896 | 1 | Extension piece | |
| 49 | 3301-3895 | 1 | Extension piece | |
| 51 | 2101-7067 | 1 | Nut | |
| 52 | 2101-8008 | 1 | Lockwasher | |
| 53 | 2101-1010 | 2 | Hex bolt | |
| 54 | 3301-4272 | 1 | Extension piece | |
| 55 | 3401-4137 | 1 | Push plate | |
| 56 | 3401-4138 | 2 | Friction strip | |
| 57 | 3401-4557 | 1 | Stop plate | 10738 |
| 58 | 2201-9024 | 2 | Bumpon | |
| 59 | 4301-3686 | 1 | Mounting block | |
| 60 | 2101-3040 | 2 | Hex bolt | |
| 61 | 2101-9215 | 10 | Spring disk | |
| 62 | 4301-3687 | 1 | Belt assy incl spring | |
| 63 | 4401-3127 | 1 | Solenoid housing support | |
| 64 | 2101-9119 | 1 | Lockwasher | |
| 65 | 2101-1024 | 1 | Bolt M8x20 DIN933 | |
| 66 | 2101-3141 | 2 | Allen screw M6x35 DIN7984 | |
| 67 | 3501-3537 | 1 | Strip | |
| 68 | 4301-3735 | 1 | Pushing strip CE only | |
| 69 | 3401-4245 | 1 | Cover plate CE only | |
| 70 | 2101-2108 | 4 | Screw M4x6 DIN85 RVS A2 CE only | |
| 71 | 3401-4246 | 1 | slide CE only | |
| 72 | 3301-4392 | 1 | guide CE only | |
| 73 | 2101-8054 | 2 | washer | |
| 74 | 2201-4842 | 2 | Lockwasher | |

Verbas BV - DEKO Holland.



Exploded view: Sled

Concern code: 4601 - 0057 - 01



Verbas BV - DEKO Holland.



Exploded view: Sled

Concern code: 4601 - 0057 - 01

| Pos | Part no. | Qty | Description | As of serialno |
|-----|-----------|-----|-------------------------------|----------------|
| 1 | 3301-4298 | 1 | Safety lever | |
| 2 | 3801-3316 | 1 | Friction block | |
| 3 | 3801-3317 | 1 | Friction block | |
| 4 | -- | | | |
| 5 | 2101-3160 | 1 | Allen screw M6x30 DIN912 | |
| 6 | 3801-3298 | 2 | Closing cap | |
| 7 | 3801-3286 | 1 | Closing cap | |
| 8 | 3301-4301 | 1 | Shaft | |
| 9 | 3301-4361 | 4 | Bearing bushing | |
| 10 | 2101-3166 | 2 | Set screw M6x8 DIN915 | |
| 11 | 3301-4296 | 1 | Shaft | |
| 12 | 3301-4295 | 1 | Shaft | |
| 13 | 3201-4123 | 1 | Knob | |
| 14 | 3801-3285 | 1 | Closing cap | |
| 15 | 3201-3332 | 2 | Spring | |
| 16 | 2101-8054 | 2 | Washer DIN125 | |
| 17 | 2201-4842 | 2 | Security ring DIN6799 | |
| 18 | 3801-3366 | 1 | Slide plate | |
| 19 | 2301-7050 | 2 | Bearing | 9344 |
| 20 | 2101-3113 | 2 | Set screw M4x6 DIN916 | |
| 21 | 2101-3165 | 2 | Set screw M5x20 DIN915 | |
| 22 | 3301-4299 | 1 | Safety lever | |
| 23 | 2101-3099 | 1 | Set screw M3x5 DIN914 | |
| 24 | 3501-3694 | 1 | Sled 2 | |
| 25 | 3801-3365 | 1 | Slide plate | |
| 26 | 3501-3699 | 1 | Push plate | |
| 27 | 2101-7067 | 1 | Locknut | |
| 28 | 3801-3284 | 1 | Closing strip | |
| 29 | 3601-1003 | 1 | Cable housing | |
| 30 | 3601-1004 | 1 | Cable | |
| 31 | 2101-7068 | 2 | Nut M5 DIN934 | |
| 32 | 3501-3728 | 1 | Sled | 9344 |
| 33 | 2101-1032 | 4 | Bolt M6x12 DIN933 | |
| 34 | 3501-3730 | 1 | Switch housing | |
| 35 | 3301-4390 | 1 | Pin 2 | |
| 36 | 3301-4389 | 1 | Pin 1 | |
| 37 | 3201-3335 | 1 | Spring | |
| 38 | 3301-4386 | 1 | Switch lever | |
| 39 | 3301-4387 | 1 | Switch shaft | |
| 40 | 3801-3184 | 1 | Knob | |
| 41 | 2101-3112 | 2 | Screw M4x20 DIN912 8.8 E3E | |
| 42 | 3401-4243 | 1 | Blocking plate | |
| 43 | 2101-8054 | 2 | Washer 4,3 DIN125 inox A2 | |
| 44 | 2201-4841 | 3 | Locking washer 4 DIN6799 inox | |
| 45 | 3401-4244 | 1 | Unlocking catch | |

Verbas BV - DEKO Holland.



Exploded view: Sled

Concern code: 4601 - 0057 - 01

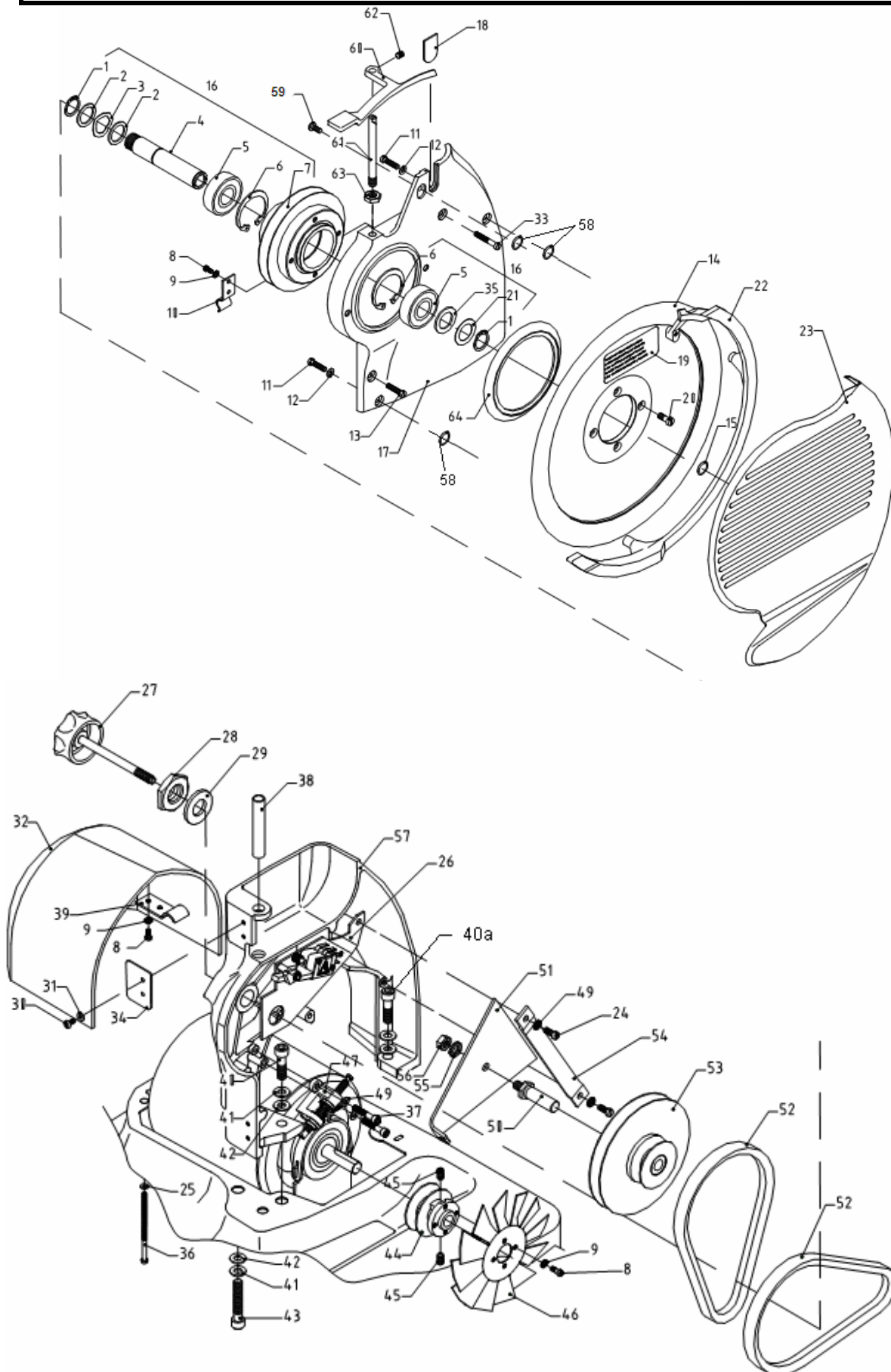
| Pos | Part no | Qty | Description | As of serialno |
|-----|-----------|-----|--|----------------|
| 46 | 3201-6084 | 2 | Washer 6,4 DIN433 | |
| 47 | 3201-3288 | 1 | Spring | |
| 48 | 2101-7046 | 1 | Nut Bm8 DIN439 04 inox A2 | |
| 49 | 3401-4529 | 1 | Felt | 9344 |
| 50 | 3301-4432 | 1 | Oil tube | 9344 |
| 51 | 2201-9109 | 1 | Closing cap | 9344 |
| | 1801-1020 | | 0.08 litre Oil, Shell Cassida fluid GL460 | 9344 |
| 52 | 3201-3363 | 1 | Fill plate | |
| | 4601-0107 | 1 | Bottle with oil Shell Cassida fluid GL460, 8ml | |

Verbas BV - DEKO Holland.



Exploded view: Knifebox

Concern code: 4601 - 0058 - 06



Verbas BV - DEKO Holland.



Exploded view: Knifebox

Concern code: 4601 - 0058 - 06

| Pos | Part no. | Qty | Description | As of serialno |
|-----|-----------|-----|---|------------------|
| 1 | 2201-4835 | 2 | 20 x 1.2 DIN471 | |
| 2 | 3201-6096 | 2 | 20.5 x 28 x 1.5 Washer | |
| 3 | 2101-8517 | 1 | 21 x 30.5 x 0.5 Wave washer | |
| 4 | 3301-3792 | 1 | Knife shaft | |
| 5 | 2301-7021 | 2 | 20 x 47 x 14 Ball bearing | |
| 6 | 2201-4834 | 2 | 47 x 1.75 DIN472 | |
| 7 | 3701-3168 | 1 | Pulley | |
| 8 | 2101-2080 | 8 | M4x8 DIN85 RVS | |
| 9 | 2101-9115 | 8 | J4.3 DIN6798 | |
| 10 | 3401-3794 | 1 | Clamp | |
| 11 | 2101-2072 | 2 | M5 x 20 DIN85 | |
| 12 | 2101-8516 | 2 | 5 DIN7980 | |
| 13 | 2101-2150 | 1 | M5 x 20 DIN84 RVS | |
| 14 | 3501-3447 | 1 | Knife carbon steel | |
| | 3501-3765 | 1 | Knife stainless steel | |
| | 3501-3770 | 1 | Knife teflon coated | |
| 15 | 2201-4840 | 1 | lock washer 13 x 1.5 RVS | |
| 16 | 4301-3387 | 1 | Knife shaft assy pos.nr:1,2, 3, 4, 5, 6, 7, 21,35 | |
| 17 | 3701-3480 | 1 | Knife box cover | 10461 with holes |
| 18 | 3401-3791 | 1 | Sharpener guide | 8936 |
| 19 | 3101-3426 | 1 | Instruction sticker | |
| 20 | 2101-2074 | 4 | M6 x 12 DIN84 RVS | |
| 21 | 3201-6091 | 1 | 20.5 x 32 x 0.3 Washer | |
| 22 | 3701-3478 | 1 | Blade guard | 8936 |
| 23 | 4401-3123 | 1 | Blade cover (knife centre plate) | |
| | 4401-3376 | 1 | Blade cover teflon coated | |
| 24 | 2101-2062 | 2 | M5x12 DIN85 RVS | 10645 |
| 25 | 2101-8051 | 2 | A4.3 DIN125 E3E | |
| 26 | 4601-3782 | 1 | Switch unit | |
| 27 | 3801-3200 | 1 | Centre plate knob | |
| 28 | 3201-6078 | 1 | Special nut M18 x 1 | |
| 29 | 3201-6089 | 1 | 18.25 x 31 x 2 washer | |
| 30 | 3201-6114 | 2 | Screw | |
| 31 | 2201-0028 | 2 | 3m6x6 DIN7 RVS A2 | |
| 32 | 3701-3169 | 1 | Motor cover | |
| 33 | 2101-2151 | 1 | M5X30 DIN84 RVS | |
| 34 | 3401-4239 | 1 | Cover plate | |
| 35 | 3201-6090 | 1 | Washer 20,5x32x2 | |
| 36 | 2101-2073 | 2 | M4 x 80 DIN84 E3E | |
| 37 | 2101-2082 | 2 | M5x10 DIN85 RVS | |
| 38 | 3301-3795 | 1 | Tube | |
| 39 | 3401-3793 | 1 | Coverclamp | |

Verbas BV - DEKO Holland.



Exploded view: Knifebox

Concern code: 4601 - 0058 - 06

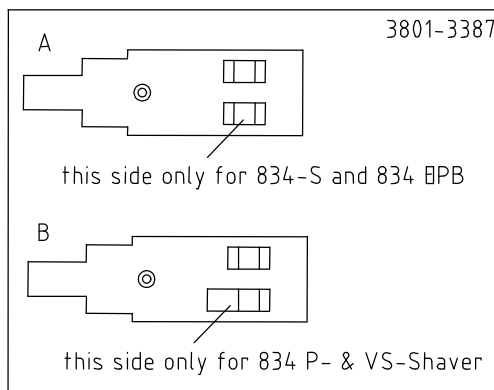
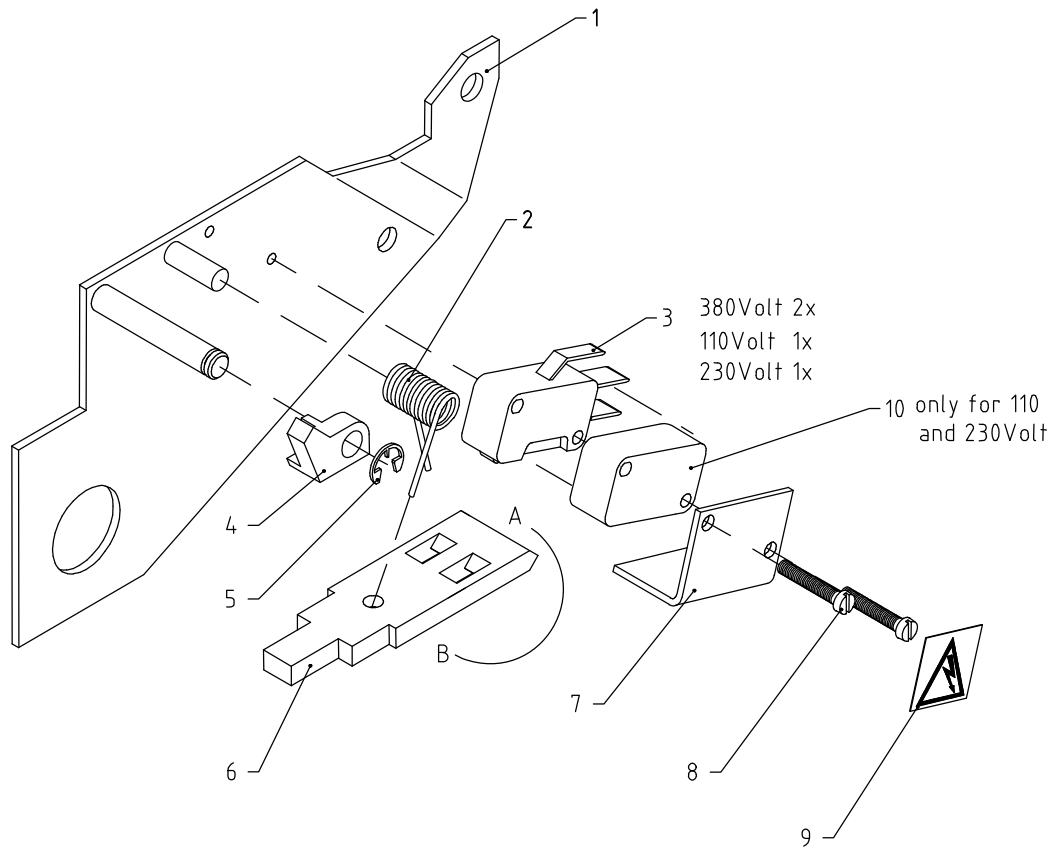
| Pos | Part no. | Qty | Description | As of serialno |
|-----|-----------|-----|---|----------------|
| 40 | 2101-3103 | 1 | M8 x 35 DIN912 A3A | |
| 40a | 2101-3101 | 1 | M8 x 25 DIN912 | |
| 41 | 2101-9201 | 3 | 18 x 8.2 x 0.8 DIN2093 | |
| 42 | 2101-8020 | 3 | 8.4 DIN125 RVS A2 | |
| 43 | 2101-3104 | 1 | M8 x 45 DIN912 | |
| 44 | 3701-3162 | 1 | Motor pulley | |
| | 3301-4540 | 1 | Motor pulley USA | |
| 45 | 2101-3110 | 2 | M6 x 12 DIN916 | |
| 46 | 3401-3779 | 1 | Fan | |
| 47 | 4301-3389 | 1 | V-belt stretcher | |
| 48 | --- | | | 10645 |
| 49 | 2101-9116 | 4 | J5.3 DIN6798 | |
| 50 | 3301-3789 | 1 | Shaft for idler plate | |
| 51 | 3401-3789 | 1 | Belt idler plate | |
| 52 | 2301-5202 | 2 | V-belt | |
| 53 | 4301-3391 | 1 | Counter shaft pulley | |
| 54 | 3401-4558 | 1 | Belt idler strip | 10645 |
| 55 | 2101-9119 | 1 | A8.4 DIN6798 | |
| 56 | 2101-7049 | 1 | M8 DIN 934 E3E | |
| 57 | 3701-3215 | 1 | Knifebox | |
| 58 | 2101-8050 | 3 | washer | 10645 |
| 59 | 2101-2088 | 1 | M5 X 16 | |
| 60 | 3501-3784 | 1 | Blade guard bracket | 8936 |
| 61 | 3301-4536 | 1 | Shaft | 8936 |
| 62 | 2101-3253 | 1 | M5 x 6 DIN916 RVS | |
| 63 | 2101-7046 | 1 | M8 DIN936 RVS | |
| 64 | 3801-3398 | 1 | Seal ring | 10461 |
| | 4301-3715 | 1 | Knifebox complete pos. nr.: 57 & 38 | |
| | 4301-3388 | 1 | Belt idler plate pos. nr.: 50, 51, 55, 56 | |

Verbas BV - DEKO Holland.



Exploded view: Switch plate

Concern code: 4601 - 3788 - 02



Verbas BV - DEKO Holland.



Exploded view: Switch plate

Concern code: 4601 3788 - 02

| Pos | Part no. | Qty | Description | As of serialno |
|-----|-----------|-----|----------------------------|----------------|
| 1 | 4301-3811 | 1 | Mountingplate | 626949 |
| 2 | 3201-3361 | 1 | Torsion spring | 626949 |
| 3 | 2601-1111 | 1 | Micro switch without lever | 626949 |
| 4 | 3801-3386 | 1 | Switch cam | 626949 |
| 5 | 2201-4841 | 1 | 4 DIN6799 RVS | 626949 |
| 6 | 3801-3387 | 1 | Switch plate | 626949 |
| 7 | 3401-4500 | 1 | Guide plate | 626949 |
| 8 | 2101-2050 | 2 | M3 x 25 DIN84 RVS | 626949 |
| 9 | 3101-4010 | 1 | Warning sticker | 626949 |
| 10 | 3801-3396 | 1 | Plastic dummy micro switch | 626949 |

Verbas BV - DEKO Holland.



Exploded view: Switch plate

Concern code: 4601 - 3782 - 02

| Pos | Part no. | Qty | Description | As of serialno |
|-----|-----------|-----|----------------------------|----------------|
| 1 | 4301-3811 | 1 | Mountingplate | 627123 |
| 2 | 3201-3361 | 1 | Torsion spring | 627123 |
| 3 | 2601-1111 | 2 | Micro switch without lever | 627123 |
| 4 | 3801-3386 | 1 | Switch cam | 627123 |
| 5 | 2201-4841 | 1 | 4 DIN6799 RVS | 627123 |
| 6 | 3801-3387 | 1 | Switch plate | 627123 |
| 7 | 3401-4500 | 1 | Guide plate | 627123 |
| 8 | 2101-2050 | 2 | M3 x 25 DIN84 RVS | 627123 |
| 9 | 3101-4010 | 1 | Warning sticker | 627123 |

Verbas BV - DEKO Holland.



Exploded view: Thickness regulator

Concern code: 4601 - 0063 - 02

| Pos | Part no. | Qty | Description | from serialno: |
|-----|-----------|-----|--|----------------|
| 1 | 3801-3194 | 1 | Closing hood | |
| 2 | 2101-7613 | 1 | Nut M5 x 6 stainless steel | 10410 |
| 3 | 2101-4050 | 4 | Countersunk head screw | |
| 4 | 3501-3806 | 1 | Support of stainless steel gauge | 10410 |
| 5 | 3401-3841 | 1 | Cover plate | |
| 6 | 3501-3485 | 1 | Control plate | |
| 7 | 3201-6083 | 2 | Washer 6,4x14x1,2 inox | |
| 8 | 2101-1086 | 2 | Hex. bolt M6x18 DIN913 inox | |
| 9 | -- | | | |
| 10 | -- | | | |
| 11 | 2101-2108 | 1 | Pan head screw M4x6 DIN85 | |
| 12 | 2101-8008 | 1 | Washer 4,3 DIN125 | |
| 13 | 2101-2160 | 1 | M3x16 DIN965 4.8 E3E | 11320 |
| 14 | 3401-4614 | 1 | Clamping plate | 11320 |
| 15 | 2601-0052 | 1 | Sliding potentiometer | 11320 |
| 16 | 4101-3591 | 1 | Potentiometer cable | |
| 17 | 3801-3436 | 1 | Lever | 11320 |
| 18 | 2201-3719 | 1 | Spring dowel 2x10 DIN1481 | |
| 19 | 3701-3401 | 1 | Index group | |
| 20 | -- | | | |
| 21 | 3301-3912 | 1 | Treaded rod | |
| 22 | 3201-6085 | 1 | Ring 12,2x28x1,5 pe | |
| 23 | 3201-6108 | 1 | Ring 12,2x27x2 inox | |
| 24 | 2101-9222 | 8 | Spring kel8-r7 | |
| 25 | 2101-3037 | 1 | M6x12 DIN915 45h A3A | |
| 26 | 3301-4423 | 1 | Ring | |
| 27 | 3801-3350 | 1 | Index knob with pin | |
| 29 | 2101-3101 | 2 | Hex.socket screw M8x25 DIN912 | |
| 30 | 2101-3124 | 1 | Hex.socket screw M8x30 DIN912 | |
| 31 | 2101-9119 | 3 | Lock washer A8,4 DIN6798 | |
| 33 | 3401-3862 | 1 | Spring | |
| 34 | 3201-6102 | 1 | Washer 10,1x16x1,5 inox | |
| 35 | 2201-4837 | 1 | Circlip diam. 7 DIN6799 A3A | |
| 36 | 2101-3127 | 1 | Set screw M6x6 DIN916 inox | |
| 37 | 3301-4309 | 1 | Thickness cam | |
| 38 | 4301-3716 | 1 | Special nut assy | |
| 39 | 2101-3174 | 1 | Allen screw M5x10 DIN916 stainless steel | |

Verbas BV - DEKO Holland.



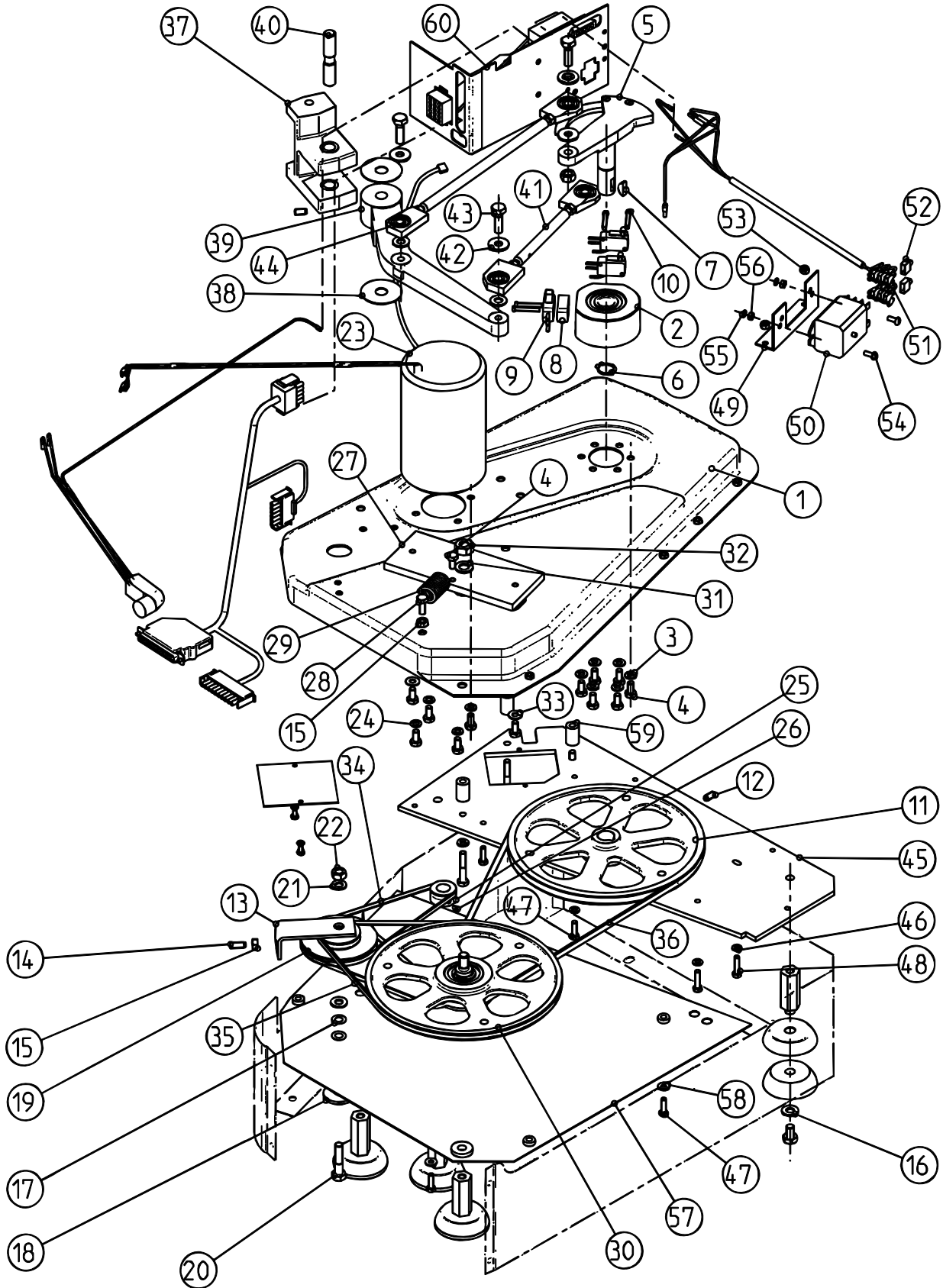
Exploded view: Thickness regulator
Concern code: 4601 - 0063 - 02

| Pos | Part no. | Qty | Description | from serialno |
|-----|-----------|-----|---|---------------|
| 40 | 4301-3360 | 1 | Adjusting strip | |
| 41 | 4301-3816 | 1 | Stainless steel thickness plate | |
| | 4401-3396 | 1 | Teflon coated thickness plate | |
| 42 | 3301-4325 | 2 | Ring | |
| 43 | 2101-2074 | 2 | Screw M6x12 DIN84 RVS A2 | |
| 44 | 3801-3298 | 2 | Closing cap | |
| 45 | 3801-3288 | 1 | Slope | |
| 46 | 3501-3700 | 1 | Mounting slope | |
| 47 | 2201-0054 | 1 | Pin | |
| 48 | 2101-3065 | 2 | Allen screw M5x8 DIN7984 | |
| 49 | 4301-3736 | 1 | Switch plate CE only | |
| 50 | 3201-3332 | 1 | Spring CE only | |
| | 4601-3912 | 1 | Potentiometer replacement kit (pos. 13, 14, 15 and 17) | 11320 |

Verbas BV - DEKO Holland.



Exploded view: Powerstroke
Concern code: 4601 - 0146 - 00



Verbas BV - DEKO Holland.



Exploded view: Powerstroke

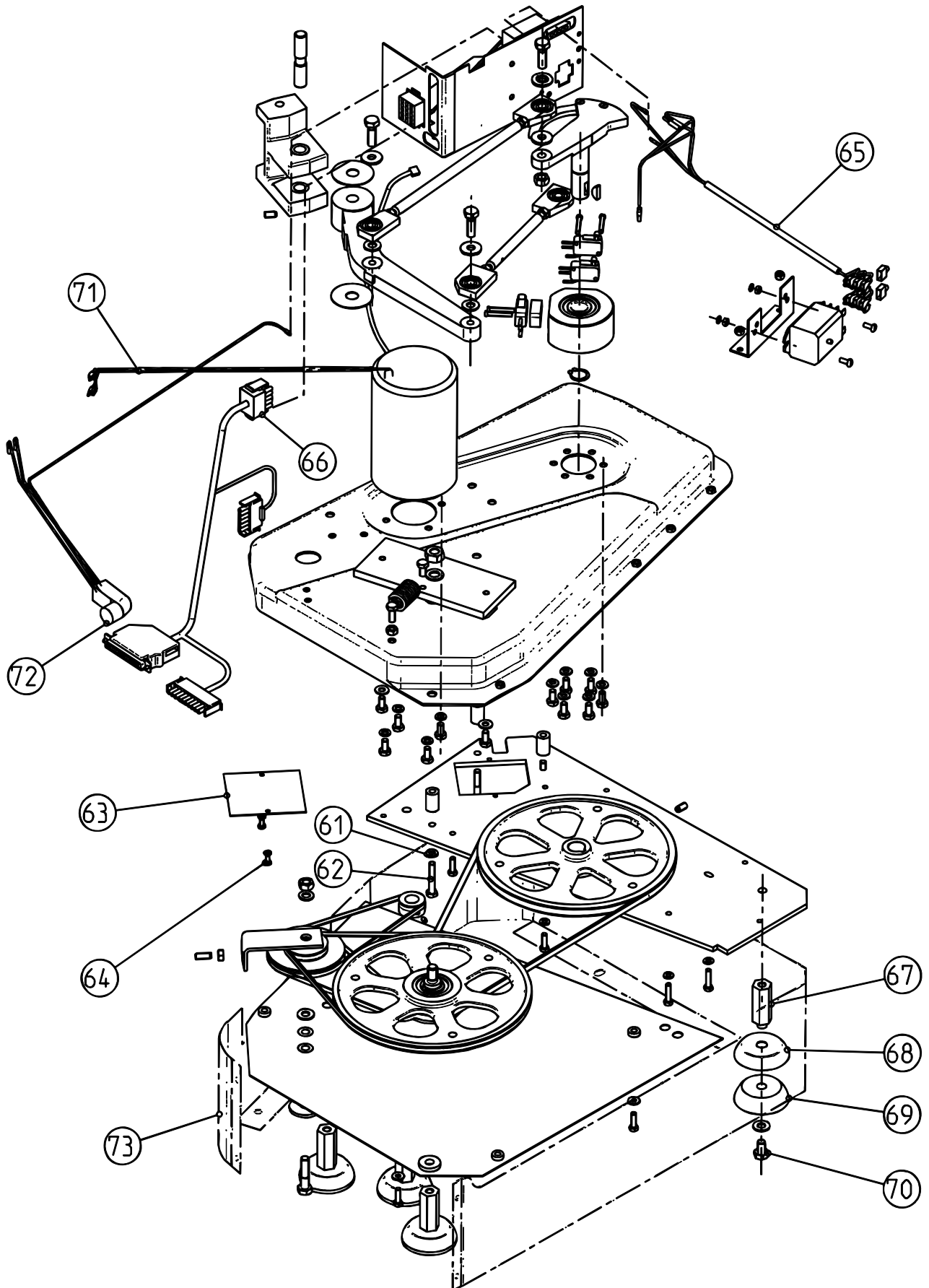
Concern code: 4601 - 0146 - 00

| Pos | Part no. | Qty | Description | As of serialno |
|-----|-----------|-----|---------------------------------|----------------|
| 1 | 4401-3248 | 1 | Bottom plate | epc02001 |
| 2 | 4301-3855 | 1 | Bush | epc02001 |
| 3 | 2101-8550 | 6 | Washer DIN 127 - B 6 - RVS A2 | epc02001 |
| 4 | 2101-1019 | 15 | DIN 933 - M6X12 - 8.8 A3A | epc02001 |
| 5 | 4401-3400 | 1 | Lever | epc02001 |
| 6 | 2201-4847 | 1 | DIN 471 A17x1 A2 | epc02001 |
| 7 | 2301-9003 | 1 | Woodruff key DIN 6888 5x6.5 St | epc02001 |
| 8 | 3801-3396 | 1 | Dummy switch | epc02001 |
| 9 | 2601-1082 | 3 | Micro switch | epc02001 |
| 10 | 2101-2050 | 4 | Screw M3X25 DIN 84 - A2 | epc02001 |
| 11 | 3701-3242 | 1 | Pulley | epc02001 |
| 12 | 2101-3037 | 2 | DIN 916 - M6X12 - 45H -A3A | epc02001 |
| 13 | 3501-3464 | 1 | Bracket | epc02001 |
| 14 | 2101-3114 | 1 | DIN 913 - M6X16 - 45H A3A | epc02001 |
| 15 | 2101-7008 | 2 | Nut DIN 934 - M6 - 5 A3A | epc02001 |
| 16 | 2101-8020 | 7 | Washer A 8.4 DIN 125 - RVS A2 | epc02001 |
| 17 | 3201-6064 | 2 | Ring | epc02001 |
| 18 | 3301-4219 | 1 | Washer | epc02001 |
| 19 | 4301-3448 | 1 | Pulley assy | epc02001 |
| 20 | 2101-1094 | 1 | DIN 931 - M8X35 - 8.8 - E3E | epc02001 |
| 21 | 2101-9119 | 1 | Lockwasher 8.4 DIN 6798A - PHR | epc02001 |
| 22 | 2101-7009 | 2 | Nut DIN 934 - M8 - 5 A3A | epc02001 |
| 23 | 4101-3632 | 1 | DC Motor | epc02001 |
| 24 | 2101-9118 | 6 | Lockwasher A6.4 DIN 6798 - phr | epc02001 |
| 25 | 3301-3897 | 1 | Pulley | epc02001 |
| 26 | 2101-3107 | 1 | DIN 916 - M4X6 - 45H | epc02001 |
| 27 | 3501-3465 | 1 | Mounting plate | epc02001 |
| 28 | 2101-1022 | 1 | DIN 933 - M6X16 - 8.8 A3A | epc02001 |
| 29 | 3201-3277 | 1 | Spring | epc02001 |
| 30 | 4301-3446 | 1 | Pulley | epc02001 |
| 31 | 2101-9109 | 1 | Lockwasher 10.5 DIN 6798A - A3A | epc02001 |
| 32 | 2101-7044 | 1 | Nut DIN 934 - M10 - E3E | epc02001 |
| 33 | 3201-6083 | 2 | Washer 6.4x14x1.2 A2 | epc02001 |
| 34 | 2301-5209 | 2 | V-belt 5M-450 | epc02001 |
| 35 | 2301-5210 | 1 | V-belt 5M-730 | epc02001 |
| 36 | 2301-5211 | 1 | V-belt 7M-100 | epc02001 |
| 37 | 4301-3444 | 1 | Bearing housing | epc02001 |
| 38 | 3201-6101 | 2 | Ring | epc02001 |
| 39 | 3701-3362 | 1 | Lever | epc02001 |
| 40 | 3301-3893 | 1 | Shaft | epc02001 |
| 41 | 4301-3442 | 1 | Piston rod short assy | epc02001 |
| 42 | 3301-3942 | 4 | Ring | epc02001 |
| 43 | 2101-1077 | 3 | DIN 933 - M8X25 - 8.8 A3A | epc02001 |

Verbas BV - DEKO Holland.



Exploded view: Powerstroke
Concern code: 4601 - 0146 - 00



Verbas BV - DEKO Holland.



Exploded view: Powerstroke

Concern code: 4601 - 0146 - 00

| Pos | Part no. | Qty | Description | As of serialno |
|-----|-----------|-----|---------------------------------|----------------|
| 44 | 4301-3441 | 1 | Piston rod assy | epc02001 |
| 45 | 3401-3832 | 1 | Cover plate | epc02001 |
| 46 | 2101-9116 | 4 | Lockwasher J5.3 DIN 6798A - PHR | epc02001 |
| 47 | 2101-1103 | 4 | DIN 933 - M5X16 - 8.8 A3A | epc02001 |
| 48 | 2133-0320 | 2 | DIN 933 - M5X20 - RVS A2 | epc02001 |
| 49 | 3401-4219 | 1 | Support plate | epc02001 |
| 50 | 2601-2010 | 1 | Relays | epc02001 |
| 51 | 2601-6630 | 2 | Faston 6.3 x 0.8 | epc02001 |
| 52 | 2601-6632 | 2 | Isolation cup | epc02001 |
| 53 | 2101-7613 | 2 | Nut DIN 985 - M5 inox A2 | epc02001 |
| 54 | 2101-2077 | 2 | Screw M4X10 DIN 85 - INOX A2 | epc02001 |
| 55 | 2101-8556 | 4 | Washer DIN 127 - A 4 - RVS A2 | epc02001 |
| 56 | 2101-7052 | 2 | Nut DIN 934 - M4 - A2 | epc02001 |
| 57 | 4401-3135 | 1 | Cover plate | epc02001 |
| 58 | 3201-6084 | 2 | Washer 5.3x12x1.5 A2 | epc02001 |
| 59 | 3301-3905 | 3 | Spacer bush | epc02001 |
| 60 | 4101-3936 | 1 | Transformer group 230V 50Hz | epc02001 |
| 61 | 2101-8515 | 3 | Washer DIN127 B6 | epc02001 |
| 62 | 2101-1083 | 3 | Screw M6x35 DIN 933 8.8 A3A | epc02001 |
| 63 | 3401-4226 | 1 | Cover | epc02001 |
| 64 | 2101-1010 | 2 | M4x8 DIN933 A3A | epc02001 |
| 65 | 4101-3932 | 1 | Relays cable | epc02001 |
| 66 | 4101-3821 | 1 | Harnessing | epc02001 |
| 67 | 3301-4599 | 4 | Extension leg | epc02001 |
| 68 | 3401-3776 | 4 | Cap | epc02001 |
| 69 | 3801-3138 | 4 | Rubber feet | epc02001 |
| 70 | 2101-1080 | 4 | M8x12 DIN933 A2 | epc02001 |
| 71 | 4101-3941 | 1 | Loom interleaver | epc02001 |
| 72 | 4101-3931 | 1 | Loom off | epc02001 |
| 73 | 4401-3245 | 1 | Housing | epc02001 |

Verbas BV - DEKO Holland.



Exploded view: Powerstroke

Concern code: 4601 - 0146 - 00

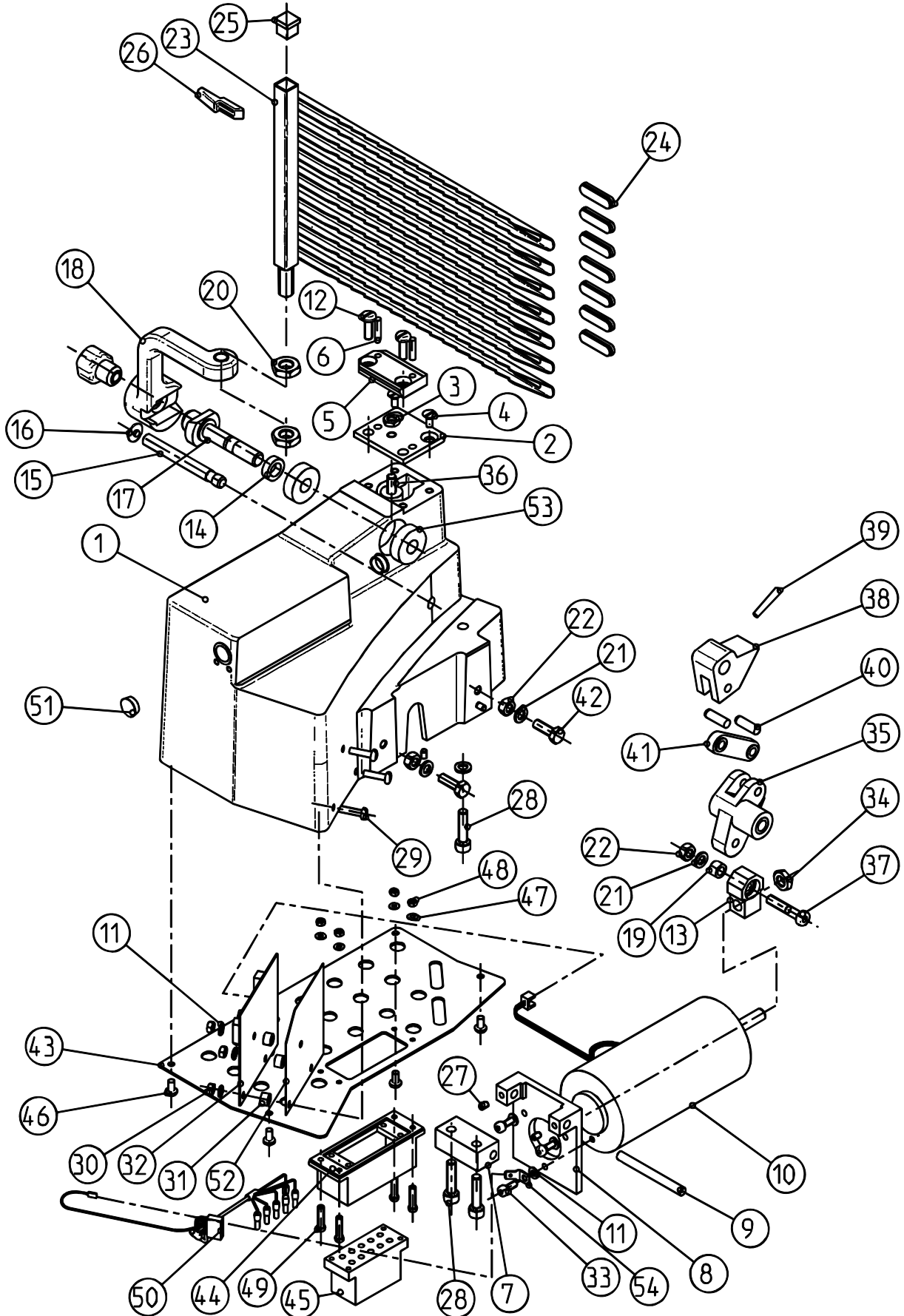
| Pos | Part no. | Qty | Description | As of serialno |
|-----|-----------|-----|---|----------------|
| 48 | 2101-3037 | 1 | Set screw M6x12 Din 91645 | 8460 |
| 49 | 3701-3242 | 1 | Pulley | 8460 |
| 50 | 3401-3832 | 1 | Cover plate | 8460 |
| 51 | 4401-3245 | 1 | Housing | 8460 |
| 52 | 3401-4226 | 1 | Cover | 8460 |
| 53 | 3201-6083 | 6 | Washer 6,4x14x1,2 | 8460 |
| 54 | 3801-3141 | 1 | Cap | 8460 |
| 55 | 3501-3465 | 1 | Mounting plate | 8460 |
| 56 | 4401-3248 | 1 | Bottom plate | 9574 |
| 57 | 2201-4847 | 1 | Retaining ring 20x1,2 DIN 471 | 8460 |
| 58 | 4101-3632 | 1 | DC motor | 8460 |
| 59 | 2601-6568 | 2 | Carbon brush | 8460 |
| 60 | 4301-3629 | 1 | Bush | 8460 |
| 61 | 2601-1082 | 2 | Micro switch | 8460 |
| 62 | 2101-2050 | 2 | Screw M3x25 DIN 84 | 8460 |
| 63 | 2301-9003 | 1 | Key 5x6,5 DIN 6888 | 8460 |
| 64 | 3701-3361 | 1 | Lever | 8460 |
| 65 | 3701-3362 | 1 | Lever | 8460 |
| 66 | 2101-8020 | 3 | Washer 8,4 DIN 125 | 8460 |
| 67 | 4301-3451 | 1 | Rod head left handed | 8460 |
| 68 | 3301-3942 | 6 | Ring | 8460 |
| 69 | 3201-6080 | 1 | Nut M6 left DIN 934 | 8460 |
| 70 | 2101-1077 | 3 | Hex bolt M8x25 DIN 933 | 8460 |
| 71 | 4301-3442 | 1 | Piston rod short assy (incl. pos.72) | 8460 |
| 72 | 3301-3910 | 1 | Piston rod short | 8460 |
| 73 | 2101-1024 | 1 | Hex bolt M8x20 DIN 933 | 8460 |
| 74 | 4301-3450 | 3 | Rod head (right handed) | 8460 |
| 75 | 4301-3441 | 1 | Piston rod assy (incl. pos 76) | 8460 |
| 76 | 3301-3909 | 1 | Piston rod | 8460 |
| 77 | 3201-6101 | 2 | Ring | 8460 |
| 78 | 2101-3037 | 1 | Hex socket screw M6x12 DIN 916 | 8460 |
| 79 | 3301-3893 | 1 | Shaft | 8460 |
| 80 | 4301-3444 | 1 | Bearing housing | 8460 |
| 81 | 3301-3905 | 3 | Spacer bush | 8460 |
| 82 | 3401-4219 | 1 | Support plate, 110V and 400V only (10724/400V) | |
| 83 | 2101-2108 | 2 | Screw M4x6 DIN 85 | 8460 |
| 84 | 2101-7613 | 2 | Lock nut, 110V and 400V only (10724/400V) | |
| 85 | 2601-2010 | 1 | Relays, 110V only | -- |
| 86 | 2601-6632 | 1 | Isolation cup, 110V only | -- |
| 87 | 2601-6630 | 1 | Faston 6,3x0,8 110V only | -- |
| 88 | 4101-3807 | 1 | Relays cable, 110V only | -- |
| 89 | 3301-4219 | 1 | Washer | 8460 |
| 90 | 3301-3906 | 4 | Special nut | 8460 |
| 91 | 2101-8515 | 6 | Washer B6 DIN127 RVS A2 | 9574 |

Verbas BV - DEKO Holland.



Exploded view: Receiving tray / Solenoid housing
housing

Concern code: 4601 - 0147 - 00



Verbas BV - DEKO Holland.



Exploded view: Solenoid housing

Concern code: 4601 - 0147 - 00

| Pos | Part no. | Qty | Description | As of serial no |
|-----|-----------|-----|--------------------------------|-----------------|
| 1 | 4301-3877 | 1 | Solenoid assy | epc02001 |
| 2 | 3401-3861 | 1 | Lockingplate | epc02001 |
| 3 | 2101-7043 | 1 | Nut DIN 439 - B M6 - E3E | epc02001 |
| 4 | 3201-6251 | 2 | DIN 963 - M5X10 - RVS A2 | epc02001 |
| 5 | 3501-3479 | 1 | Dovetail | epc02001 |
| 6 | 2201-3016 | 2 | Pin DIN 1474 - 4X16 - A2 | epc02001 |
| 7 | 3501-3443 | 1 | Hinge | epc02001 |
| 8 | 4401-3125 | 1 | Solenoid head assy | epc02001 |
| 9 | 3301-3835 | 1 | Hinge shaft | epc02001 |
| 10 | 4301-3424 | 1 | Solenoid head | epc02001 |
| 11 | 2101-9115 | 6 | Lockwasher J4.3 DIN 6798 - A3A | epc02001 |
| 12 | 2101-208 | 2 | Screw M5X16 DIN 85 - INOX A2 | epc02001 |
| 13 | 4301-3423 | 1 | Coupling piece | epc02001 |
| 14 | 3301-3843 | 1 | Bush | epc02001 |
| 15 | 3301-3836 | 1 | Levershaft | epc02001 |
| 16 | 3801-3171 | 1 | Closing cap | epc02001 |
| 17 | 3301-3851 | 1 | Stackerhand shaft | epc02001 |
| 18 | 4301-3427 | 1 | Fingerholder assy | epc02001 |
| 19 | 3301-3858 | 1 | Bush | epc02001 |
| 20 | 2101-7051 | 2 | Nut DIN 439 - B M10X1 - A2 | epc02001 |
| 21 | 2101-9118 | 6 | Lockwasher A6.4 DIN 6798 - phr | epc02001 |
| 22 | 2101-7048 | 3 | Nut DIN 934 - M6 - 5 E3E | epc02001 |
| 23 | 4401-3126 | 1 | Stackerhand | epc02001 |
| 24 | 3801-3169 | 7 | Shock absorber | epc02001 |
| 25 | 3801-3160 | 1 | Endpiece | epc02001 |
| 26 | 3801-3173 | 1 | Detention piece | epc02001 |
| 27 | 2101-3113 | 3 | DIN 916 - M4X6 - RVS A2 | epc02001 |
| 28 | 2101-3133 | 3 | DIN 912 - M6X25 - 12.9 A3A | epc02001 |
| 29 | 2101-2068 | 3 | Screw M4X16 DIN 85 - INOX A2 | epc02001 |
| 30 | 2101-7052 | 3 | Nut DIN 934 - M4 - A2 | epc02001 |
| 31 | 3801-3140 | 3 | Distance bush | epc02001 |
| 32 | 4101-3927 | 1 | Interconnection board | epc02001 |
| 33 | 2101-3261 | 3 | DIN 912 - M4X10 - RVS A2 | epc02001 |
| 34 | 2101-7046 | 1 | Nut DIN 439 - A M8 - A2 | epc02001 |
| 35 | 4301-3422 | 1 | Knee-lever | epc02001 |
| 36 | 3801-3210 | 1 | Detention pin | epc02001 |
| 37 | 2101-3157 | 1 | DIN 7984 - M6X30 - RVS A3A | epc02001 |
| 38 | 3701-3225 | 1 | Lever | epc02001 |
| 39 | 2201-0600 | 1 | Taper pin | epc02001 |
| 40 | 2201-0044 | 2 | Pin | epc02001 |
| 41 | 4301-3411 | 1 | Lever assy | epc02001 |

Verbas BV - DEKO Holland.



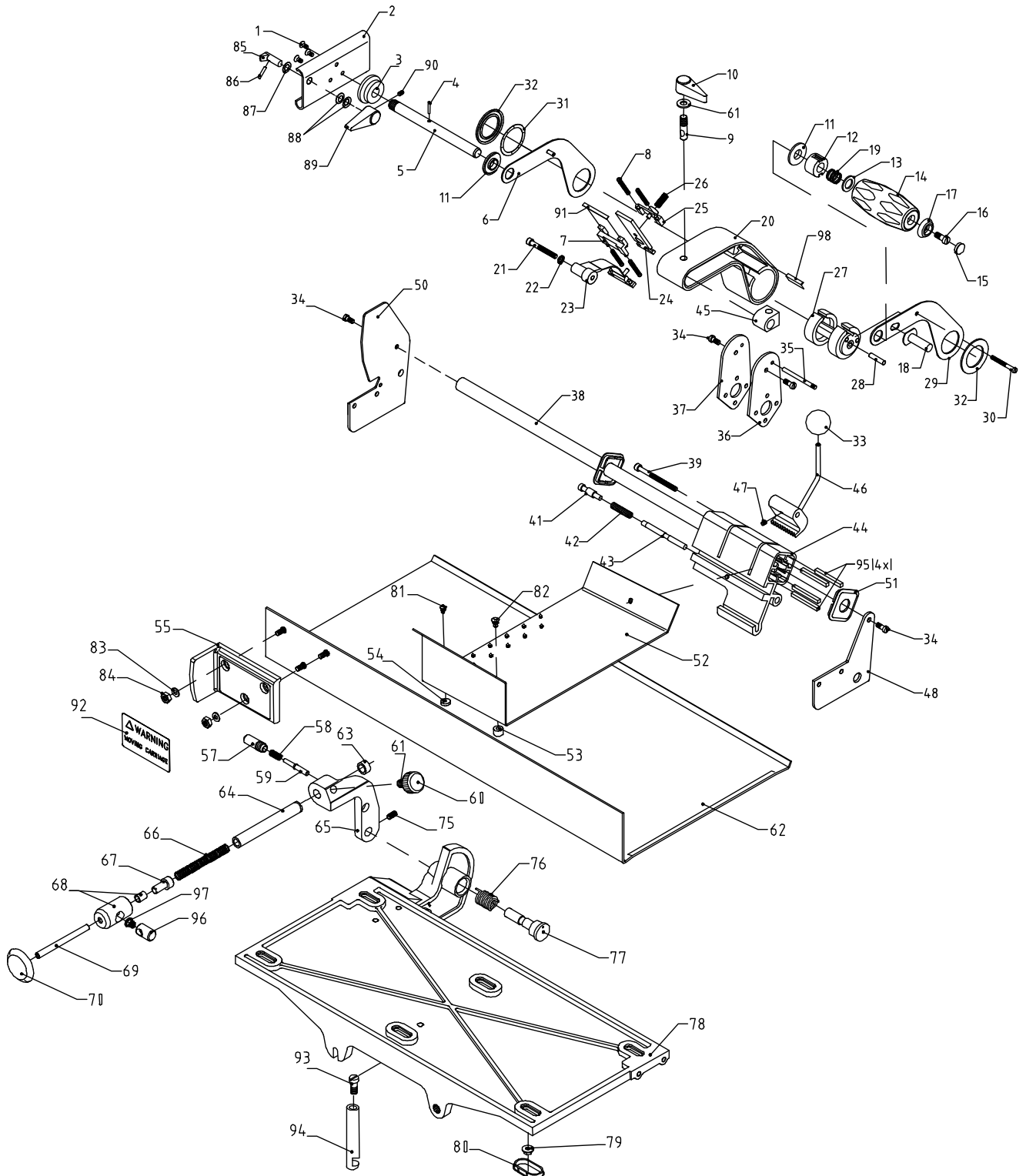
Exploded view: Solenoid housing
Concern code: 4601 - 0147 - 00

| Pos | Part no. | Qty | Description | As of serial no |
|-----|-----------|-----|---------------------------------|-----------------|
| 42 | 2101-1006 | 2 | DIN 933 - M6X18 - RVS A3A | epc02001 |
| 43 | 3401-4570 | 1 | Cover plate | epc02001 |
| 44 | 2601-7532 | 1 | Bulkhead mounting | epc02001 |
| 45 | 2601-5091 | 1 | Screw term. female HAN10A10FSCH | epc02001 |
| 46 | 2101-2080 | 4 | Screw M4X8 DIN 85 - INOX A2 | epc02001 |
| 47 | 2101-8076 | 4 | Washer A 3.2 DIN 125 - RVS A2 | epc02001 |
| 48 | 2101-7045 | 4 | Nut DIN 934 - M3 - A2 | epc02001 |
| 49 | 2101-2157 | 4 | Screw M3X16 DIN 84 - A2 | epc02001 |
| 50 | 4101-3942 | 1 | Steppermotor loom | epc02001 |
| 51 | 3801-3298 | 2 | Closing cap | epc02001 |
| 52 | 3501-3500 | 1 | Insulation plate | epc02001 |
| 53 | 2301-7024 | 2 | Ball bearing | epc02001 |
| 54 | 2601-5042 | 1 | Earth clamp | |

Verbas BV - DEKO Holland.



Exploded view: Meat table long
Concern code: 4601 - 0061 - 03



Verbas BV - DEKO Holland.



Exploded view: Meat table long
Concern code: 4601 - 0061 - 03

| Pos | Part no. | Qty | Description | As of serialno |
|-----|-----------|-----|--------------------------------|----------------|
| 1 | 2101-4044 | 3 | M4x6 DIN963 RVS | 8460 |
| 2 | 3401-4189 | 1 | Clamb holder | 9213 |
| 3 | 3301-4319 | 1 | Mounting ring | 8460 |
| 4 | 2201-0027 | 1 | M6x16 DIN7 RVS A2 | 8460 |
| 5 | 3301-4320 | 1 | Shaft | 8460 |
| 6 | 4401-3299 | 1 | Left clamb plate | 8460 |
| 7 | 3801-3301 | 1 | Springholder | 8460 |
| 8 | 3201-3327 | 4 | Spring | 8460 |
| 9 | 3301-4348 | 1 | Command pin | 8460 |
| 10 | 3701-3387 | 1 | Knob | 8460 |
| 11 | 3801-3302 | 2 | Special ring | 8460 |
| 12 | 3801-3156 | 1 | Handle bearing | 8460 |
| 13 | 2101-8100 | 1 | Washer 13 DIN433 St A3A | 8460 |
| 14 | 3801-3182 | 1 | Handle | 8460 |
| 15 | 3801-3298 | 1 | Closing cap | 8460 |
| 16 | 2101-2074 | 1 | M6x12 DIN84 RVS | 8460 |
| 17 | 3301-4325 | 1 | Ring | 8460 |
| 18 | 3301-4335 | 1 | Handle | 8460 |
| 19 | 3201-3263 | 1 | Spring | 8460 |
| 20 | 3501-3698 | 1 | Arm | 8460 |
| 21 | 2101-3167 | 1 | M5x40 DIN912 | 8460 |
| 22 | 2101-9116 | 1 | Lockwasher J5,3 DIN6798 | 8460 |
| 23 | 3801-3281 | 1 | Unlocking device | 8460 |
| 24 | 3501-3703 | 1 | Locking strip | 8460 |
| 25 | 3801-3294 | 1 | Springholder | 8460 |
| 26 | 3201-3328 | 1 | Spring | 8460 |
| 27 | 4401-3409 | 1 | Clamb shaft | 10683 |
| 28 | 2201-3733 | 1 | Spring dowel DIN7343 - A2 4x45 | 8460 |
| 29 | 3401-4194 | 1 | Right clamb plate | 8460 |
| 30 | 2101-2107 | 1 | M4x35 DIN85 RVS | 8460 |
| 31 | 2101-9225 | 1 | Spring G 6303 A 39.1x33x0.3 | 8460 |
| 32 | 3801-3303 | 2 | Special ring | 8460 |
| 33 | 2201-8000 | 1 | Knob | 8460 |
| 34 | 2101-2082 | 8 | M5x10 DIN85 RVS | 8460 |
| 35 | 3301-4318 | 1 | Blocking pin | 8460 |
| 36 | 3401-4572 | 1 | Clamb plate with tapped holes | 10683 |
| 37 | 3401-4571 | 1 | Clamb plate | 10683 |
| 38 | 3301-4297 | 1 | Guide shaft | 8460 |
| 39 | 2101-3171 | 4 | M5x60 DIN912 | 8460 |
| 40 | -- | | | |
| 41 | 3301-4305 | 1 | Shaft | 8460 |
| 42 | 3201-3325 | 1 | Spring | 8460 |

Verbas BV - DEKO Holland.



Exploded view: Meat table long
Concern code: 4601 - 0061 - 03

| Pos | Part no. | Qty | Description | As of serialn0 |
|-----|------------|-----|----------------------------|----------------|
| 43 | 3301-4306 | 1 | Shaft | 8460 |
| 44 | 4401-3311 | 1 | Guide block | 8460 |
| 45 | 3501-3721A | 1 | Clamb block | 8460 |
| 46 | 3801-3287 | 1 | Split nut with handle | 8460 |
| 47 | 2101-3013 | 1 | Set screw M4x5 DIN916 | 8460 |
| 48 | 3401-4180 | 1 | Support plate | 8460 |
| 49 | -- | | | 10388 |
| 50 | 3401-4556 | 1 | Protection shield | 10388 |
| 51 | 3801-3300 | 2 | Closing cap | 8460 |
| 52 | 4401-3303 | 1 | Pin plate | 8460 |
| 53 | 3801-3292 | 1 | Guide knob | 8460 |
| 54 | 3801-3293 | 1 | Guide knob | 8460 |
| 55 | 3801-3384 | 1 | Thumb guard | 8460 |
| 56 | --- | | | 8460 |
| 57 | 3301-4328 | 1 | Spring bushing | 8460 |
| 58 | 3201-3279 | 1 | Spring | 8460 |
| 59 | 3301-4222 | 1 | Latch | 8460 |
| 60 | 3301-4349 | 1 | Knob | 8460 |
| 61 | 3801-3148 | 1 | Pivot | 10388 |
| 62 | 4301-3808 | 1 | Table blade | 8460 |
| | 4301-3860 | 1 | Table blade teflon coated | |
| 63 | 3301-4580 | 1 | Closing cap | 10388 |
| 64 | 3301-4584 | 1 | Tube product fence | 10388 |
| 65 | 3501-3807 | 1 | Hinge piece | 10388 |
| 66 | 3201-3371 | 1 | Spring | 10388 |
| 67 | 3301-4603 | 1 | Special screw | 10800 |
| 68 | 4301-3878 | 1 | Support bushing compl. | 10638 |
| 69 | 3301-4582 | 1 | Shaft | 10800 |
| 70 | 3401-4555A | 1 | Disk | 10388 |
| 75 | 2101-3174 | 1 | Set screw M5x10 DIN916 RVS | 8460 |
| 76 | 3201-3287 | 1 | Spring | 8460 |
| 77 | 3301-4583 | 1 | Tension pin | 10388 |
| 78 | 3701-3385 | 1 | Table | 8460 |
| 79 | 2101-7613 | 4 | Self locking nut | 8460 |
| 80 | 3801-3194 | 4 | Closing hood | 8460 |
| 81 | 2201-1011 | 1 | Rivet | 8460 |
| 82 | 2201-1010 | 1 | Rivet | 8460 |
| 83 | 2101-8054 | 3 | 4.3 DIN125 RVS | 8460 |
| 84 | 2101-7052 | 3 | M4 DIN934 RVS | 8460 |

Verbas BV - DEKO Holland.



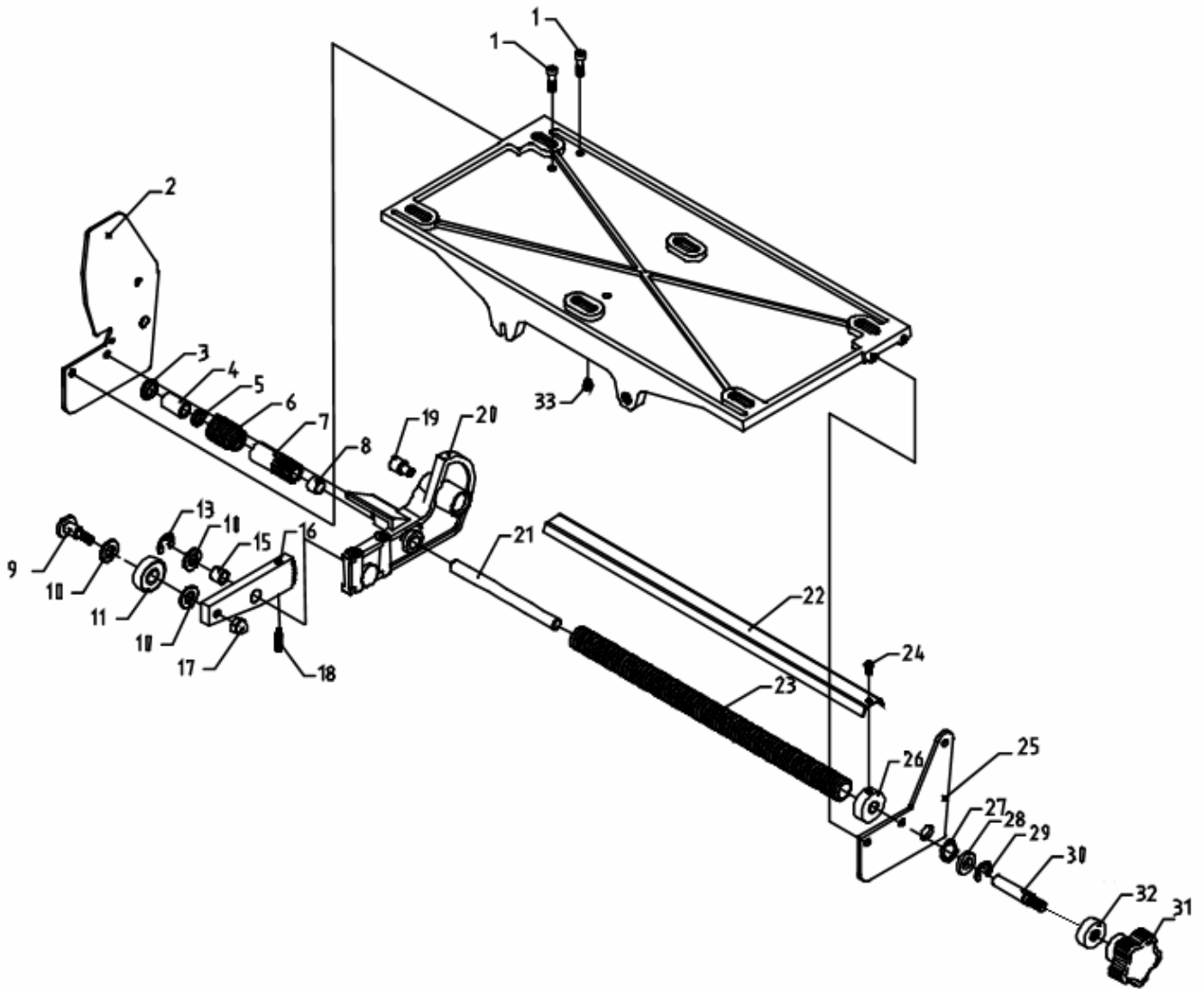
Exploded view: Meat table long
Concern code: 4601 - 0061 - 03

| Pos | Part no. | Qty | Description | as of serialno |
|-----|----------------|----------|---|----------------|
| 85 | 3701-3476 | 1 | Locking device for clamp holder | 9213 |
| 86 | 2201-3023 | 1 | 3x10 DIN1474 RVS | 9213 |
| 87 | 3201-6064 | 1 | Washer | 9213 |
| 88 | 2101-9208 | 2 | B16 DIN2093 GR.1 A3A | 9213 |
| 89 | 3701-3499 | 1 | Locking knob | 11284 |
| 90 | 2101-3127 | 1 | M6x6 DIN916 RVS | 9213 |
| 91 | 3201-3364/3365 | 1 | Fill plate | |
| 92 | 3101-4039 | 1 | Warning sticker (English) | |
| 93 | 2101-1086 | 1 | m6X16 DIN933 RVS | |
| 94 | 3301-4388 | 1 | Locking pin | |
| 95 | 3401-4549 | 4 | Felt 6x6x47 with: | 9721 |
| | | 0.02 ltr | Oil, Shell Cassida fluid GL460 | 9721 |
| 96 | 3301-4589A | 1 | Clamp shaft | 10638 |
| 97 | 3201-3333 | 1 | Coiled spring | 10638 |
| 98 | 3201-3373 | 1 | Fill strip for locking strip (pos 24) | 10665 |
| | 4601-3825 | 1 | Table with locking pin (pos. 78, 93 and 94) | |
| | 4601-3875 | 1 | Product fence complete (pos. 57 up to and 61, 63 up to and 70, 75 up to and 77) | 10388 |
| | 4601-3877 | 1 | Disk incl. tube product fence (pos. 63, 64, 66 up to and 70, 96 and 97) | 10638 |

Verbas BV - DEKO Holland.



Exploded view: Meat table long
Concern code: 4601 - 0059 - 01



Verbas BV - DEKO Holland.



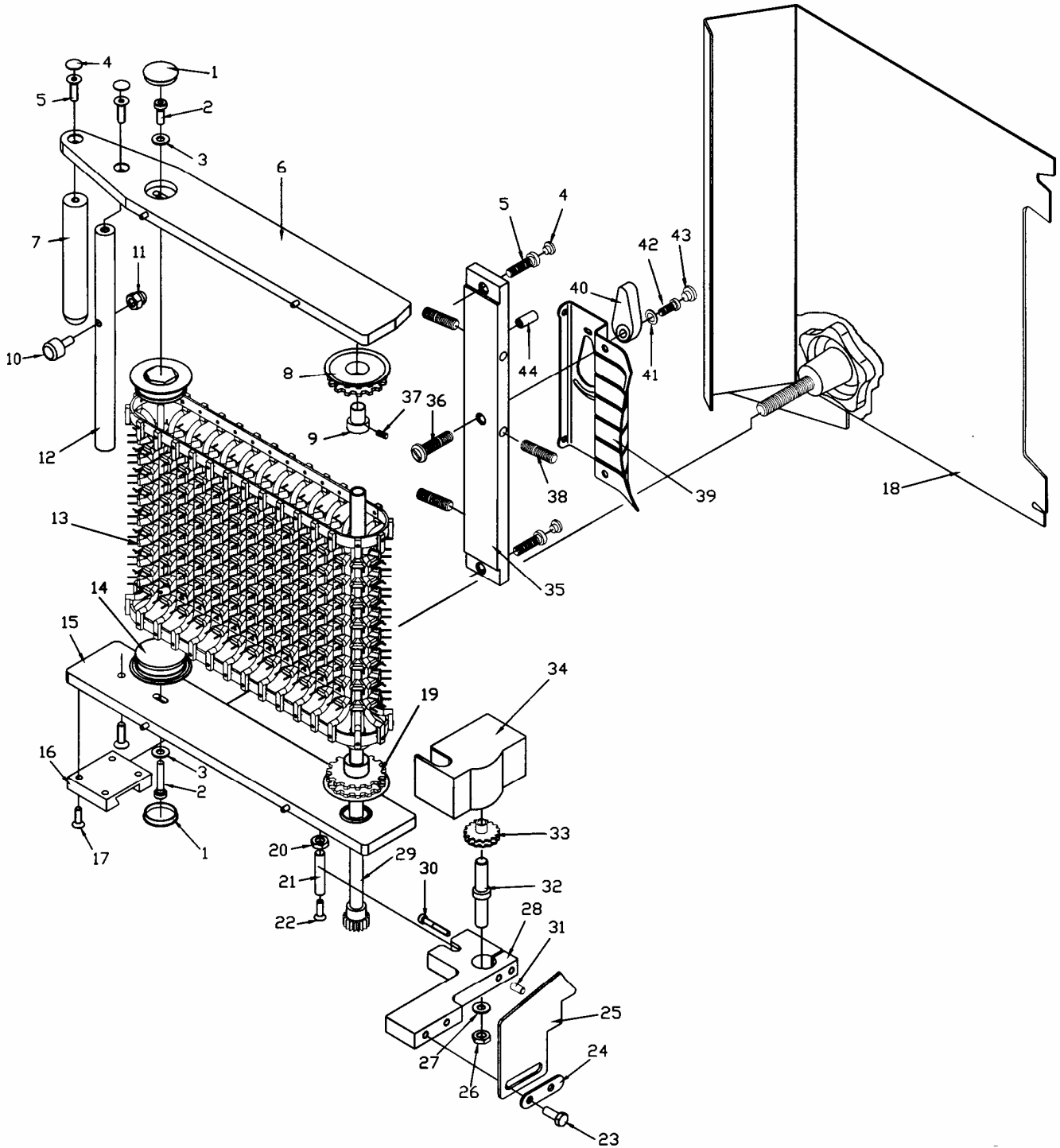
Exploded view: Meat table long
Concern code: 4601 - 0059 - 01

| Pos | Part no. | Qty | Description | As of serialno |
|-----|-----------|-----|---|----------------|
| 1 | 2101-3260 | 2 | M5x16 DIN7984 RVS A2 | 8460 |
| 2 | | | See 4601-0061 pos. 50 | 10422 |
| 3 | 3801-3291 | 1 | Closing hood | 8460 |
| 4 | 2301-7027 | 1 | Bearing bushing | 8460 |
| 5 | 2201-4861 | 1 | Sealring | 8460 |
| 6 | 3201-3326 | 1 | Spring | 8460 |
| 7 | 3301-4316 | 1 | Coq wheel | 8460 |
| -- | 4301-3721 | 1 | Coq wheel assy incl. pos 4, 5, 7 | 8460 |
| 8 | 2301-8003 | 1 | Bushing glacier MB1010DU | 8460 |
| 9 | 3301-4315 | 1 | Spindle for wheel | 8460 |
| 10 | 3801-3290 | 3 | Washer | 8460 |
| 11 | 2301-7019 | 1 | Bearing 6200-LLU | 8460 |
| 13 | 2201-4836 | 1 | Security ring 9 DIN6799 | 8460 |
| 15 | 2301-8003 | 1 | Bushing glacier MB1010DU | 8460 |
| 16 | 3501-3702 | 1 | Lever | 8460 |
| 17 | 2101-7402 | 1 | Nut | 8460 |
| 18 | 2101-3165 | 1 | Set screw M5x20 DIN915 RVS | 8460 |
| 19 | 3801-3210 | 1 | Buffer | 8460 |
| 20 | 3801-3280 | 1 | Frame | 8460 |
| 21 | 3301-4312 | 1 | Shaft | 8460 |
| -- | 4301-3714 | 1 | Threaded rod assy incl. pos. 21, 23, 30 | 8460 |
| 22 | 3401-4182 | 1 | Threaded rod cover | 8460 |
| 23 | 3301-4310 | 1 | Threaded rod | 8460 |
| 24 | 2101-2108 | 1 | M4x6 DIN85 | 8460 |
| 25 | -- | | See 4601-0061 pos. 48 | 8460 |
| 26 | 3801-3289 | 1 | Bearing | 8460 |
| 27 | 2101-9224 | 1 | washer | 8460 |
| 28 | 3301-4313 | 1 | Position ring | 8460 |
| 29 | 2201-4836 | 1 | Security ring 9 DIN6799 | 8460 |
| 30 | 3301-4311 | 1 | Shaft | 8460 |
| 31 | 3201-4123 | 1 | Knob | 8460 |
| 32 | 3801-3311 | 1 | Spacer bushing | 8460 |

Verbas BV - DEKO Holland.



Exploded view: Transporter
Concern code: 4601 - 0068 - 03



Verbas BV - DEKO Holland.



Exploded view: Transporter
Concern code: 4601 - 0068 - 03

| Pos | Part no. | Qty | Description | As of serialno |
|-----|------------|-----|--|----------------|
| 1 | 3833-5005 | 2 | Closing cap | |
| 2 | 2101-3152 | 2 | Screw M6x16 DIN7984 RVS | |
| 3 | 3201-6083 | 2 | Washer 6,4 x 14 x 1,2 RVS | |
| 4 | 3801-3171 | 4 | Cover cap | |
| 5 | 2101-4054 | 5 | Countersunk screw M6x20 DIN7991 RVS | |
| 6 | 4301-3416 | 1 | Top plate (incl stainless steel bearings) | 10401 |
| 7 | 3301-3845 | 1 | Handle | |
| 8 | 3301-3838 | 2 | Pulley | |
| 9 | 3301-3840 | 2 | Adjusting bush | |
| 10 | 3801-3208 | 1 | Stop pin | |
| 11 | 2101-7402 | 1 | Cap nut M6 DIN1587 RVS | |
| 12 | 3301-3844 | 1 | Space pilar | |
| 13 | 4301-3418 | 1 | Conveyor belt | |
| 14 | 4301-3659 | 2 | Pulley (incl stainless steel bearings) | 10401 |
| 15 | 4301-3415 | 1 | Bottom plate (incl stainless steel bearings) | 10401 |
| 16 | 3301-3862 | 1 | Dovetail holder | |
| 17 | 2101-4053 | 4 | Countersunk screw M5x16 DIN7991 RVS | |
| 18 | 4301-3820 | 1 | Safety guard transporter CE only | |
| 19 | 4301-3488 | 2 | Pulley assy (pos. nr. 8, 9, 37) | |
| 20 | 2101-7046 | 1 | Nut M8 DIN439 RVS | |
| 21 | 3301-3859 | 1 | Pin | |
| 22 | 3801-3148 | 1 | Pivot | |
| 23 | 2101-1086 | 2 | Pan head screw M6x16 DIN933 RVS | |
| 24 | 3401-3822 | 1 | Coverplate | |
| 25 | 3401-4530 | 1 | Tacker | |
| 26 | 2101-7048 | 1 | Nut M6 DIN934 E3E | |
| 27 | 3201-6083 | 1 | Washer 6,4 x 14 x 1,2 RVS | |
| 28 | 3501-3455A | 1 | Support plate | |
| 29 | 4301-3413 | 1 | Driving shaft assy | |
| 30 | 2101-3040 | 1 | Hex socket screw M6x40 DIN912 A3A | |
| 31 | 2101-3121 | 1 | Hex set screw M6x6 DIN914 RVS | |
| 32 | 3301-3860 | 1 | Cog wheel pin | |
| 33 | 3801-3199 | 1 | Cog wheel | |
| 34 | 3801-3174 | 1 | Cover cap | |
| 35 | 3501-3445 | 1 | Connection plate | |
| 36 | 3301-3848 | 1 | Knob shaft | |
| 37 | 2101-3113 | 4 | Hex set screw M6x4 DIN916 RVS | |
| 38 | 2101-3109 | 3 | Set screw M6x30 DIN551 RVS | |
| 39 | 3401-3812A | 1 | Catch plate | |
| | 3401-4065A | 1 | Catch plate Austria | |
| 40 | 3801-3196 | 1 | Catch plate clamping lever | |
| 41 | 2101-8103 | 1 | Washer 6,4 DIN433 RVS A2 | 10742 |

Verbas BV - DEKO Holland.



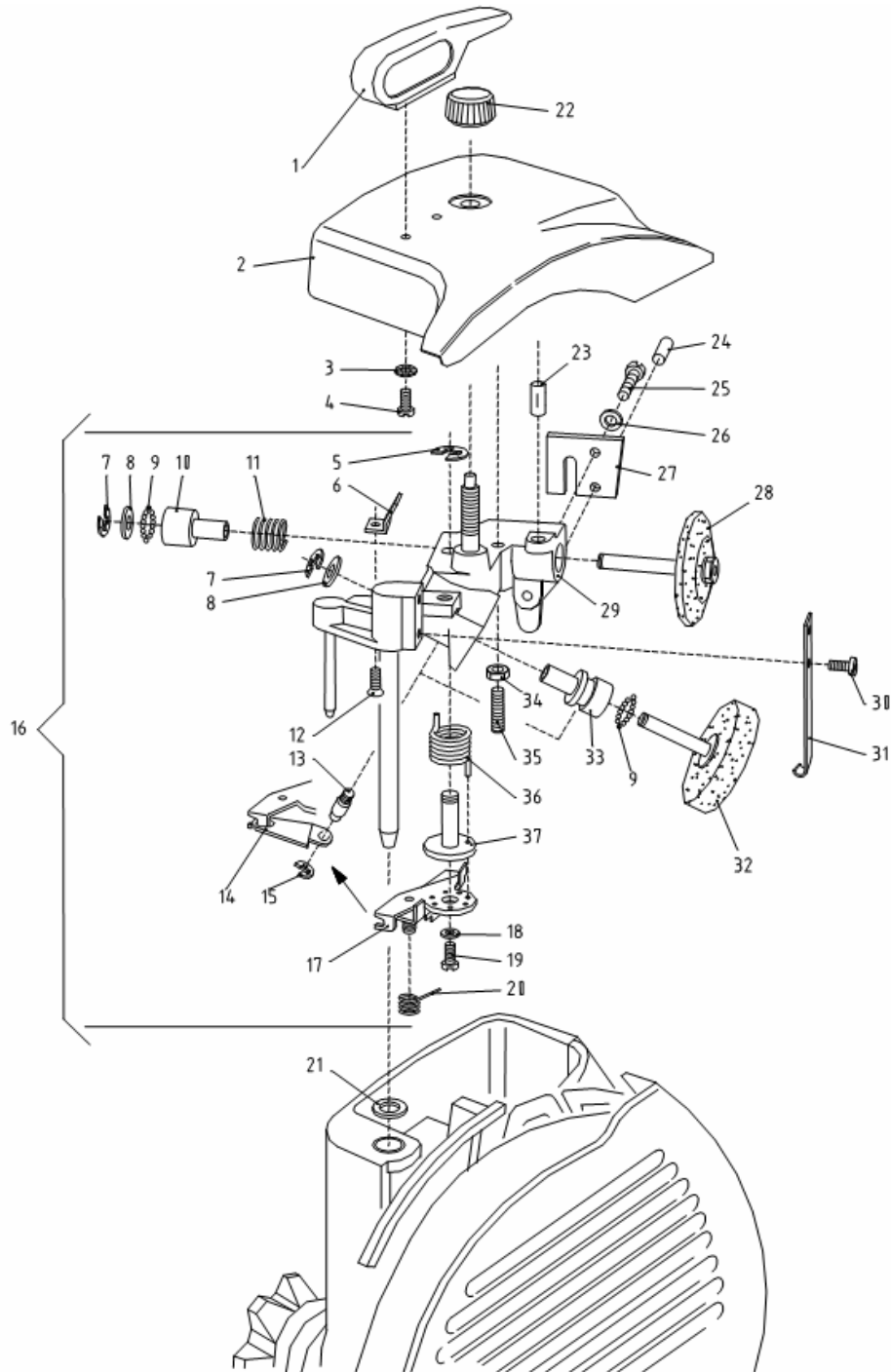
Exploded view: Transporter
Concern code: 4601 - 0068 - 03

| Pos | Part no. | Qty | Description | As of serialno |
|-----|-----------|-----|--|----------------|
| 42 | 2101-2108 | 1 | Screw M4x6 DIN85 RVS | |
| 43 | 3833-5032 | 1 | Cover cap | |
| 44 | 2201-3016 | 1 | Grooved pin 4x16 DIN1474 RVS A2 | |
| -- | 4301-3487 | 1 | Transporter complete (pos.nr 1 up to 22 and 29, 35 up to and 44, with exception of 39 cover plate) | |

Verbas BV - DEKO Holland.



Exploded view: Sharpener
Concern code: 4601 - 0048 - 03



Verbas BV - DEKO Holland.



Exploded view: Sharpener
Concern code: 4601 - 0048 - 03

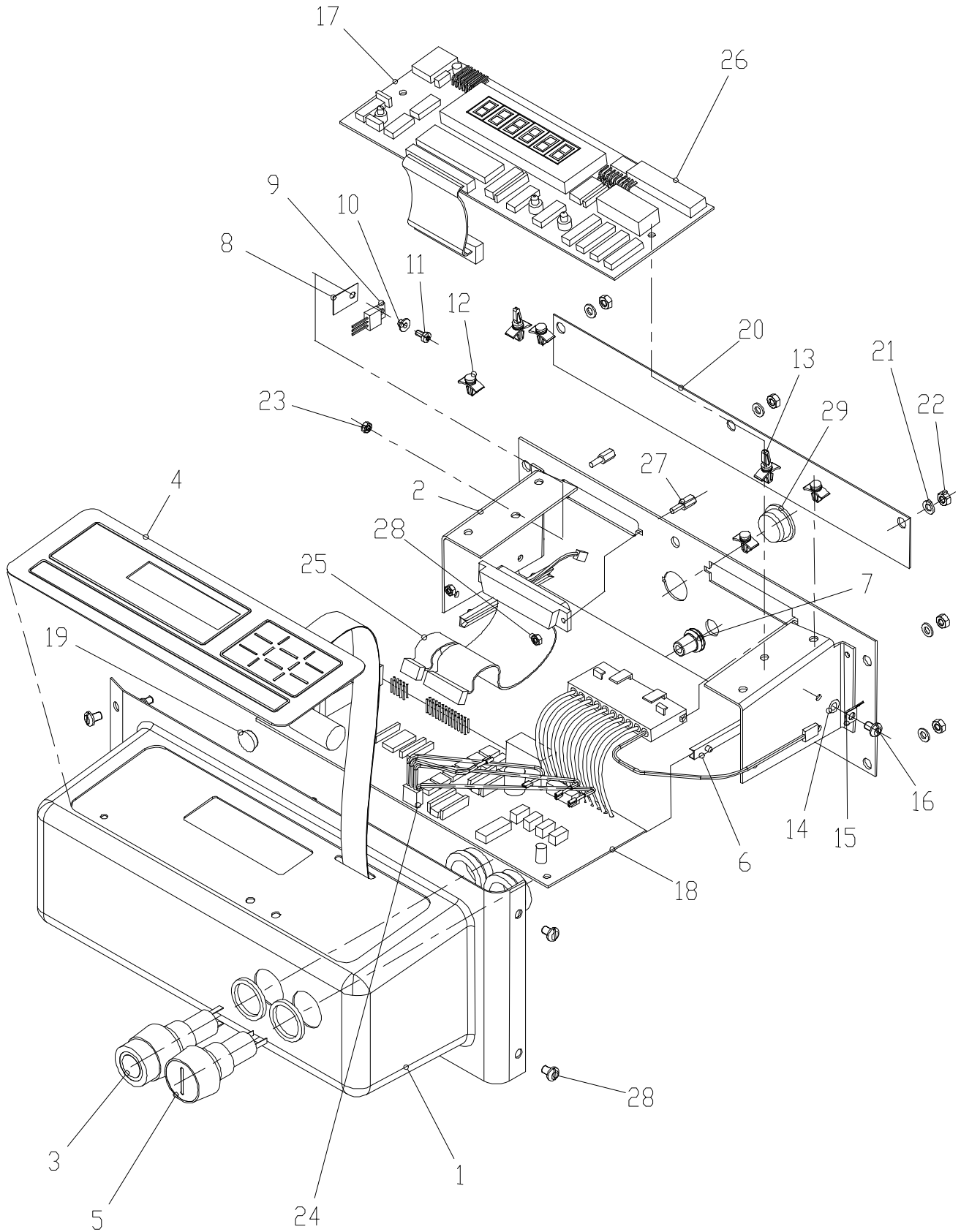
| Pos | Part no. | Qty | Description | As of Serialno |
|-----|-----------|-----|---|----------------|
| 1 | 4301-3403 | 1 | Grip with Berkel name plate | 622409 |
| 2 | 3701-3481 | 1 | Sharpener cover | 628261 |
| 3 | 2101-9115 | 2 | Lockwasher J4,3 DIN6798 | 622409 |
| 4 | 2101-2065 | 2 | Pan head screw M4x12 DIN85 | 622409 |
| 5 | 2201-4837 | 1 | Circlip 7 DIN6799 A3A622409 | |
| 6 | 3401-3805 | 1 | Bracket | 622409 |
| 7 | 2201-4805 | 2 | Circlip 5 DIN6799 A3A622409 | |
| 8 | 3301-3812 | 2 | Collar | 622409 |
| 9 | 2301-7020 | 18 | Steel ball 1/8" | 622409 |
| 10 | 3301-3810 | 1 | Spindle bearing | 622409 |
| 11 | 3201-3270 | 1 | Spring | 622409 |
| 12 | 2101-4035 | 1 | Counter sunk screw M4x8 DIN963 RVS | 622409 |
| 13 | 3301-3813 | 1 | Link screw | 622409 |
| 14 | 3401-4241 | 1 | Link | 622409 |
| 15 | 2201-4842 | 1 | Circlip 3,2 DIN6799 RVS | 622409 |
| 16 | 4601-3504 | 1 | Sharpener complete, pos. nrs. 5 up to and 20 and 25 up and 37 | 622409 |
| 17 | 4401-3124 | 1 | Sharpener lever | 622409 |
| 18 | 2101-8051 | 1 | Washer A4,3 DIN125 | 622409 |
| 19 | 2101-2108 | 1 | Pan head screw M4x6 DIN85 RVS | 622409 |
| 20 | 3201-3275 | 1 | Torsion spring | 622409 |
| 21 | 3201-6095 | 1 | Felt washer | 622409 |
| 22 | 3301-4246 | 1 | Knob | 632811 |
| 23 | 2201-3016 | 2 | Grooved pin 4x16 DIN1474 E3E | 622409 |
| 24 | 2201-0028 | 1 | Cylinder pin 3m6x6 DIN7 E3E | 622409 |
| 25 | 2101-2082 | 1 | Pan head screw M5x10 DIN85 RVS | 622409 |
| 26 | 2101-9218 | 1 | Disc spring 12x5,2x0,8 DIN2093 | 622409 |
| 27 | 3401-3802 | 1 | Adjusting plate | 622409 |
| 28 | 4301-3405 | 1 | Deburring stone with shaft | 622409 |
| 29 | 3701-3212 | 1 | Sharpener frame | 622409 |
| 30 | 2101-2080 | 2 | Pan head screw M4x8 DIN85 RVS | 622409 |
| 31 | 3201-3272 | 1 | Flat spring | 622409 |
| 32 | 4301-3404 | 1 | Sharpening stone with shaft | 622409 |
| 33 | 3301-3810 | 1 | Spindle bearing | 622409 |
| 34 | 2101-7068 | 1 | Nut M5 DIN934 | 622409 |
| 35 | 2101-3175 | 1 | Screw M5x25 DIN551 E3E | 622409 |
| 36 | 3201-3271 | 1 | Torsion spring | 622409 |
| 37 | 3301-3816 | 1 | Sharpener lever spindle | 622409 |
| 38 | 4601-3716 | 1 | Sharpener assembly, pos.nrs: 16 and 1 up to and 4,21 up to and 2 | 622409 |

Verbas BV - DEKO Holland.



Exploded view: Bezel

Concern code: 4601 - 3611 - 03



Verbas BV - DEKO Holland.



Exploded view: Bezel

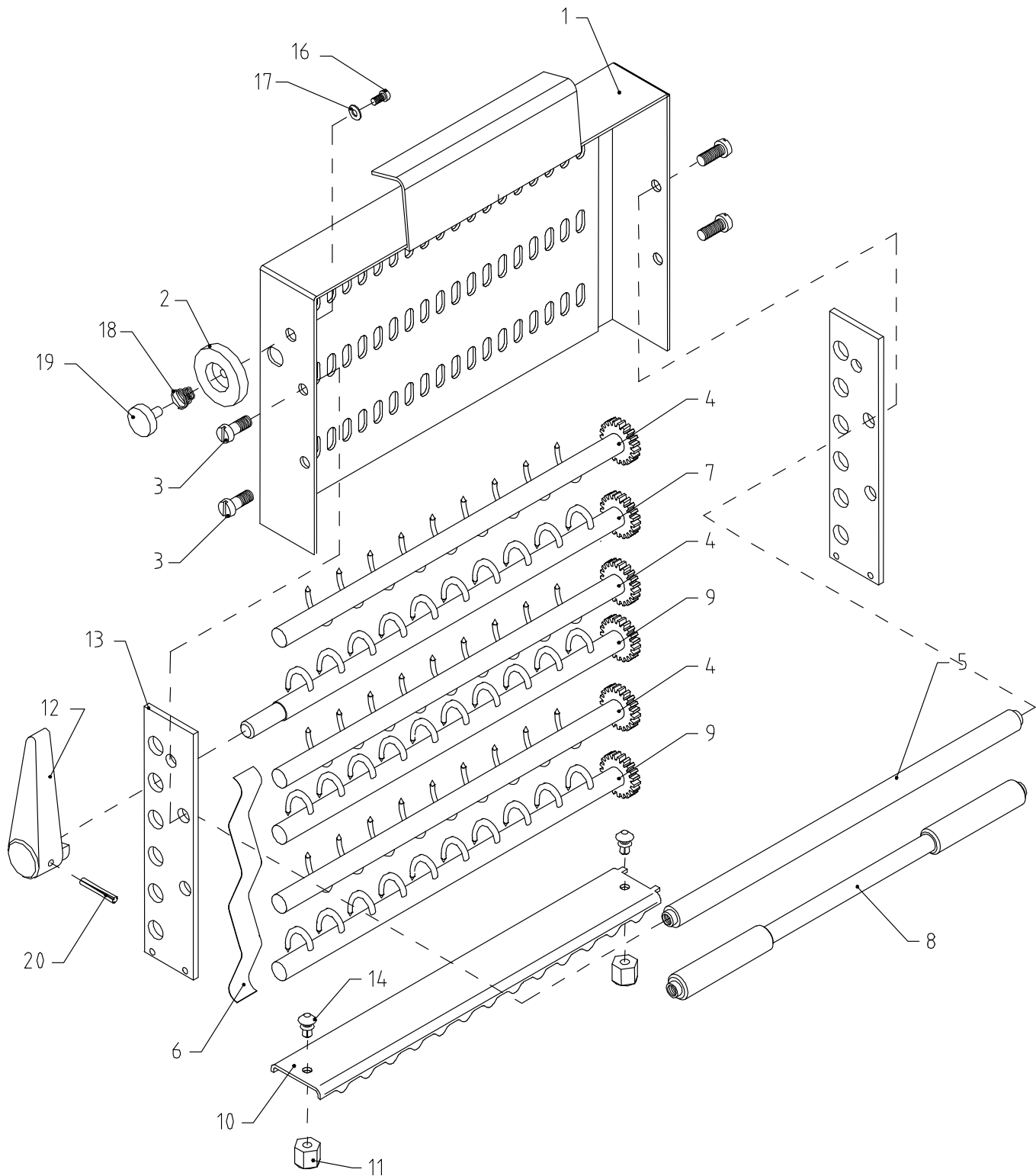
Concern code: 4601 - 3611 - 03

| Pos | Part no. | Qty | Description | As of Serialno |
|-----|-----------|-----|--|----------------|
| 1 | 4401-3246 | 1 | Bezel | 8460 |
| 2 | 4301-3609 | 1 | Mounting plate complete | 10740 |
| 3 | 2601-1084 | 1 | Off switch (red button) | 8460 |
| 4 | 4101-3492 | 1 | Keyboard Stacker | 8460 |
| 5 | 2601-1083 | 1 | On switch (green button) | 8460 |
| 6 | 3820-0951 | 2 | Printed circuit board rail | 8460 |
| 7 | 2201-9059 | 1 | Grommet | 8460 |
| 8 | 3501-3405 | 1 | Insulation plate | 8460 |
| 9 | 4101-3608 | 1 | Voltage regulator 5 Volt | 8460 |
| 10 | 2701-3031 | 1 | Insulation ring | 8460 |
| 11 | 2101-2029 | 1 | Screw M3x6 DIN7985 | 8460 |
| 12 | 2201-9056 | 4 | Spacer | 8460 |
| 13 | 2201-9057 | 2 | Spacer | 8460 |
| 14 | 2101-9103 | 1 | Lockwasher A4.3 DIN6798 A3A | 8460 |
| 15 | 2601-5042 | 1 | Earth clamp | 8460 |
| 16 | 2101-2075 | 1 | Screw M4x6 DIN85 Brass | 8460 |
| 17 | 4101-3620 | 1 | CPU board | 8460 |
| 18 | 4101-3851 | 1 | Powerstroke board complete | 8460 |
| 19 | 2201-9024 | 2 | Bumpon | 8460 |
| 20 | 3401-4058 | 1 | Rear plate | 8460 |
| 21 | 2101-9115 | 6 | Lockwasher J4.3 DIN6798 A3A | 8460 |
| 22 | 2101-7052 | 6 | Nut M4 DIN934 RVS A2 | 8460 |
| 23 | 2101-7619 | 1 | Nut M3 DIN933 RVS A2 | 8460 |
| 24 | 4101-3384 | 1 | Loom switch | 8460 |
| 25 | 4101-3814 | 1 | Flat cable 36 strands complete | 8460 |
| 26 | 2901-0007 | 1 | E-Prom (programmed stacker) | 8460 |
| 27 | 2601-9000 | 2 | Special screw | 8460 |
| 28 | 2101-2108 | 4 | Screw M4x6 DIN85 RVS A2 | 8460 |
| 29 | 2201-9111 | 1 | Closing cap | 10740 |
| | 4401-3247 | 1 | Bezel with touchpanel complete pos. nrs: 13, 14, 18 | |

Verbas BV - DEKO Holland.



Exploded view: Last slice device
Concern code: 4601 - 3697 - 01



Verbas BV - DEKO Holland.

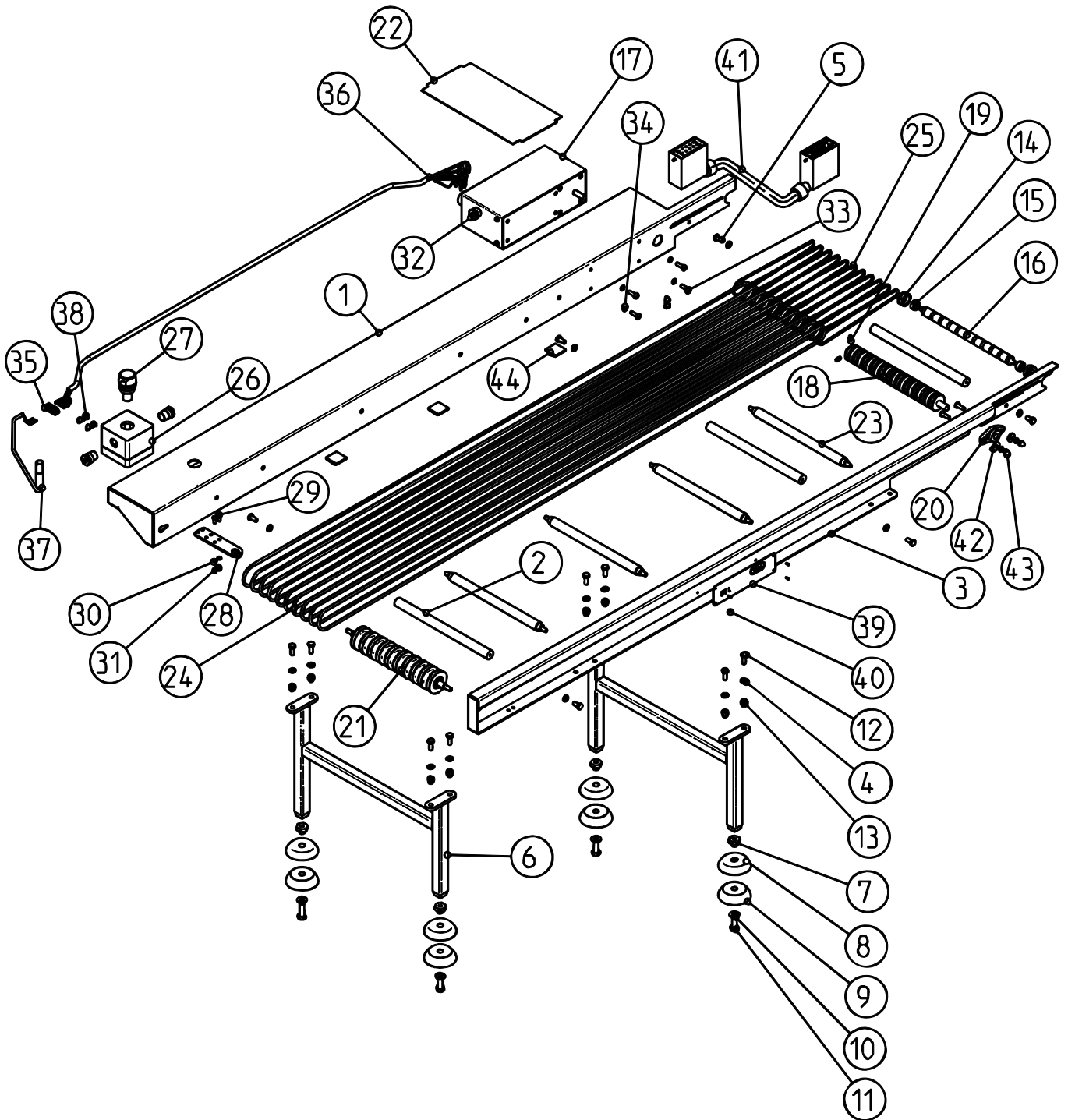


Exploded view: Last slice device
Concern code: 4601 - 3697 - 01

| Pos | Part no. | Qty | Description | As of serialno |
|-----|-----------|-----|------------------|----------------|
| 1 | 4401-3301 | 1 | front plate | |
| 2 | 3301-4364 | 1 | washer | |
| 3 | 2101-2082 | 4 | M5x10 DIN85 | |
| 4 | 4301-3430 | 3 | needle shaft | |
| 5 | 3301-4542 | 1 | clamb shaft | |
| 6 | 3201-3283 | 1 | flat spring | |
| 7 | 4301-3851 | 1 | needle shaft | |
| 8 | 3301-4544 | 1 | clamb shaft | |
| 9 | 4301-3428 | 2 | needle shaft | |
| 10 | 3401-4197 | 1 | clamb plate | |
| 11 | 3801-3315 | 2 | glide button | |
| 12 | 3701-3490 | 1 | handle | |
| 13 | 3401-4535 | 2 | gear plate | |
| 14 | 2201-1010 | 2 | rivet | |
| 15 | -- | | | |
| 16 | 2101-2109 | 1 | M3x3 DIN84 | |
| 17 | 2101-8076 | 1 | 3 DIN125 | |
| 18 | 3201-3333 | 1 | spring | |
| 19 | 3301-4365 | 1 | button | |
| 20 | 2201-3007 | 1 | 3x20 DIN1471 E3E | |

Verbas BV - DEKO Holland.

Exploded view: Conveyor
Concern code: 4601 - 0145 - 01



Verbas BV - DEKO Holland.



Exploded view: Conveyor

Concern code: 4601 - 0145 - 01

| Pos | Part no. | Qty | Description | As of serialno |
|-----|-----------|-----|----------------------------|----------------|
| 1 | 4401-3405 | 1 | Assembly frame left | EPCL05001 |
| 2 | 3301-4598 | 3 | Support shaft | EPCL05001 |
| 3 | 4401-3404 | 1 | Assembly frame right | EPCL05001 |
| 4 | 2101-8550 | 14 | Washer B6 DIN127 RVS A2 | EPCL05001 |
| 5 | 2101-1032 | 6 | M6x12 DIN933 RVS A2 | EPCL05001 |
| 6 | 4401-3406 | 2 | Leg | EPCL05001 |
| 7 | 3301-3906 | 4 | Special nut | EPCL05001 |
| 8 | 3401-3776 | 4 | Cap | EPCL05001 |
| 9 | 3801-3138 | 4 | Rubber foot | EPCL05001 |
| 10 | 2101-8020 | 4 | Washer A8,4 DIN125 RVS A2 | EPCL05001 |
| 11 | 2101-1147 | 4 | | EPCL05001 |
| 12 | 2101-1086 | 8 | M6x16 DIN933 RVS A2 | EPCL05001 |
| 13 | 2101-7402 | 8 | Nut M6 DIN1587 RVS | EPCL05001 |
| 14 | 3301-4597 | 2 | Support front rol | EPCL05001 |
| 15 | 2301-8052 | 2 | Radial bearing | EPCL05001 |
| 16 | 3301-4593 | 1 | Front roller | EPCL05001 |
| 17 | 4401-3407 | 1 | Assembly stepper motor box | EPCL05001 |
| 18 | 3301-4594 | 1 | Drive roller | EPCL05001 |
| 19 | 2101-3174 | 2 | M5x10 DIN916 RVS A2 | ch772 |
| 20 | 2301-8053 | 1 | Igubal | EPCL05001 |
| 21 | 4301-3876 | 1 | Assembly end roller | EPCL05001 |
| 22 | 3401-4568 | 1 | Deflector | EPCL05001 |
| 23 | 2301-0650 | 4 | Roller | EPCL05001 |
| 24 | 3201-7023 | 10 | Belt, round 4 mm | EPCL05001 |
| 25 | 3201-7022 | 11 | Belt, round 3 mm | EPCL05001 |
| 26 | 4101-3933 | 1 | Switch box complete | EPCL05001 |
| 27 | 2601-1119 | 1 | Pause switch | EPCL05001 |
| 28 | 3401-4569 | 1 | Support optic eye | EPCL05001 |
| 29 | 2101-2077 | 2 | Screw M4x10 DIN85 RVS A2 | EPCL05001 |
| 30 | 2101-8556 | 2 | Washer A4 DIN127 RVS A2 | EPCL05001 |
| 31 | 2101-7412 | 2 | Nut M4 DIN1587 RVS A2 | EPCL05001 |
| 32 | 2601-5087 | 2 | Cable grommet | EPCL05001 |
| 33 | 2101-2088 | 6 | Screw M5x16 DIN85 RVS A2 | EPCL05001 |
| 34 | 2101-8553 | 6 | Washer A5,5 DIN127 RVS A2 | ch772 |
| 35 | 2601-5090 | 1 | Connecting block | EPCL05001 |
| 36 | 4101-3928 | 1 | Loom control box | EPCL05001 |
| 37 | 4101-3945 | 1 | Sensor assembly | EPCL05001 |
| 38 | 4101-3929 | 3 | Cable | EPCL05001 |
| 39 | 3101-4056 | 1 | Identity plate conveyor | EPCL05001 |
| 40 | 2133-0346 | 4 | Rivet | EPCL05001 |

Verbas BV - DEKO Holland.



Exploded view: Conveyor

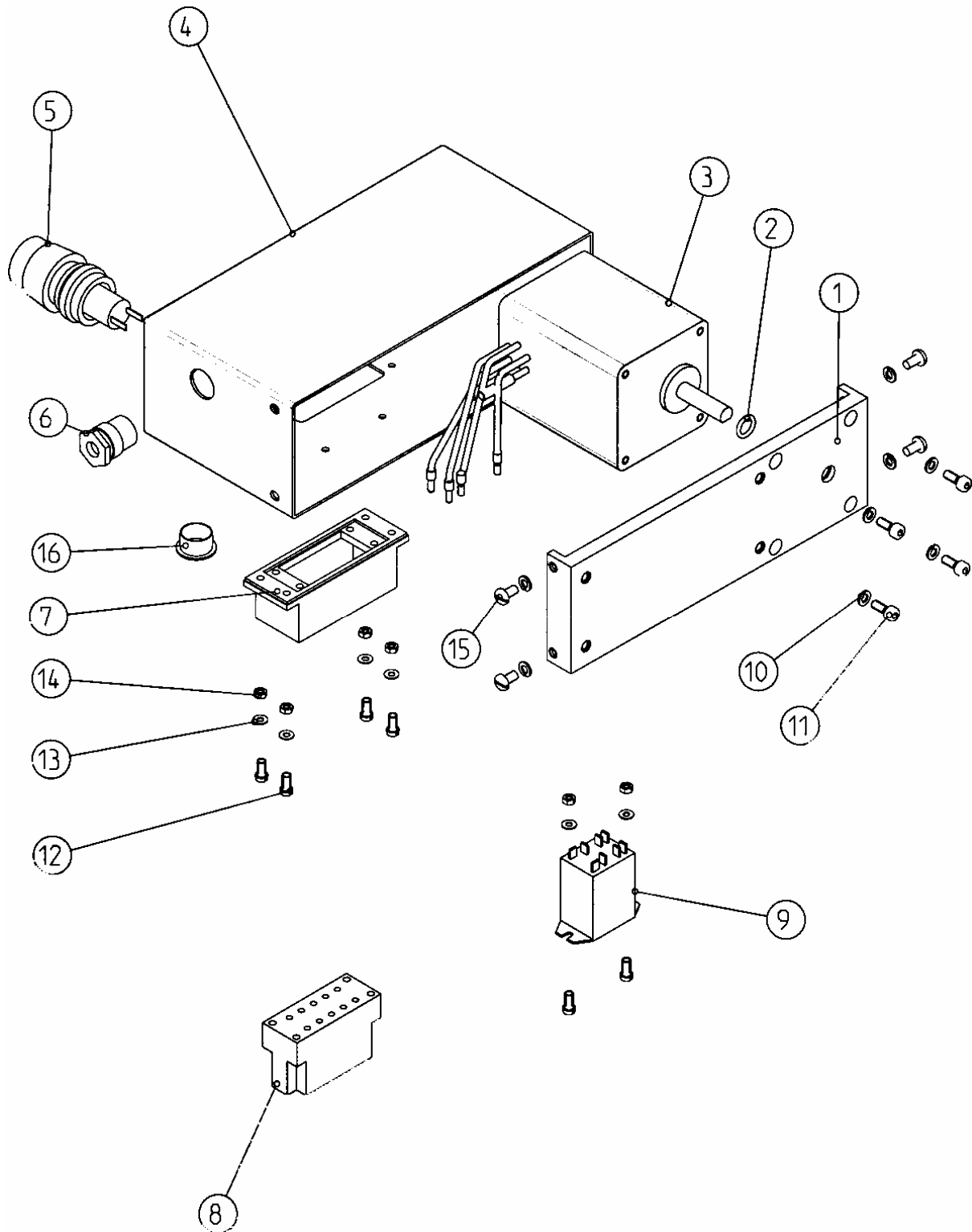
Concern code: 4601 - 0145 - 01

| Pos | Part no. | Qty | Description | As of serialno |
|-----|-----------|-----|--------------------------------------|----------------|
| 41 | 4101-3934 | 1 | Intermediate cable conveyor - slicer | EPCL05001 |
| 42 | 2101-8551 | 2 | Ring A5,3 DIN9021 RVS | ch 772 |
| 43 | 2101-7411 | 2 | Nut M5 DIN1587 RVS A2 | EPCL05001 |
| 44 | 2201-7010 | 3 | Cable clip | ch 772 |
| 45 | 3501-3810 | 1 | Intermediate plate | EPCL05001 |

Verbas BV - DEKO Holland.



Exploded view: Steppenmotor
Concern code: 4401 - 3407 - 01



Verbas BV - DEKO Holland.



Exploded view: Steppenmotor
Concern code: 4401 - 3407 - 01

| Pos | Part no. | Qty | Description | from serialno |
|-----|-----------|-----|--------------------------------------|---------------|
| 1 | 3501-3809 | 1 | Motor mounting plate | EPCL05001 |
| 2 | 2201-4885 | 1 | O-ring | EPCL05001 |
| 3 | 4101-3943 | 1 | Motor assy | EPCL05001 |
| 4 | 3401-4567 | 1 | Coverplate motorbox | EPCL05001 |
| 5 | 2601-1084 | 1 | Stop switch | EPCL05001 |
| 6 | 2601-5087 | 1 | Cable grommet | EPCL05001 |
| 7 | 2601-7532 | 1 | Bulkhead mounting | EPCL05001 |
| 8 | 2601-5086 | 1 | Screw terminal male HAN 10 A 10 MSCH | EPCL05001 |
| 9 | 2601-2027 | 1 | Mounted power relay | EPCL05001 |
| 10 | 2101-8556 | 8 | Washer A4 DIN127 RVS A2 | EPCL05001 |
| 11 | 2101-3261 | 4 | M4x10 DIN912 RVS A2 | EPCL05001 |
| 12 | 2101-2159 | 6 | Screw M3x10 DIN84 RVS A2 | EPCL05001 |
| 13 | 2101-8076 | 6 | Washer A3.2 DIN125 RVS A2 | EPCL05001 |
| 14 | 2101-7045 | 6 | Nut M3 DIN934 RVS A2 | EPCL05001 |
| 15 | 2101-2080 | 4 | Screw M4x8 DIN85 RVS A2 | EPCL05001 |
| 16 | 2201-9110 | 1 | Cover plug Skiffy | EPCL05001 |